



Hydro-Lek Ltd

Press Information

October 2010

For immediate release

New compact aluminium cylinders from Hydro-Lek offer cost savings and fast delivery

The new HLK 14000 series of compact hydraulic cylinders from Hydro-Lek have been designed to be extremely lightweight, compact and highly versatile. Manufactured out of hard anodised aluminium, the cylinders are ideally suited for subsea applications where weight and durability are of paramount importance.

With 3 bore sizes ranging from 10 to 25 mm and piston rod diameters of 6 to 16 mm, Hydro-Lek's 14000 cylinder series offers high performance at a standard nominal working pressure of 210 bar.

All sizes are available with varying stroke lengths and three industry standard mounting options: the Rear Eye Mount, the Nose Thread Mount and the Front Flange Mount.

The cylinders are manufactured to customers' required stroke length and are supplied on a 2-3 week delivery. "We are carrying a substantial stock of standard parts for these cylinders which, for our

customers, means not only a fast turnaround but also a significant saving on stainless steel equivalents” says Hydro-Lek MD, Chris Lokuciewski.

A new addition to our current range of actuators is a set of compact aluminium cylinders with internal position feedback.

About Hydro-Lek

Hydro-Lek is a leading supplier of remote handling systems for the subsea, nuclear and defence industries. Products range from simple hydraulic components to fully integrated telemetry-controlled remote manipulator systems for integration onto ROV's and remote access platforms. The company employs a dedicated team of design engineers to provide a specialist turnkey project engineering and build service from its facilities in Berkshire England. Hydro-Lek's durable lightweight and inexpensive manipulators are currently used on a wide range of ROVs, AUVs and manned submersibles for different applications.

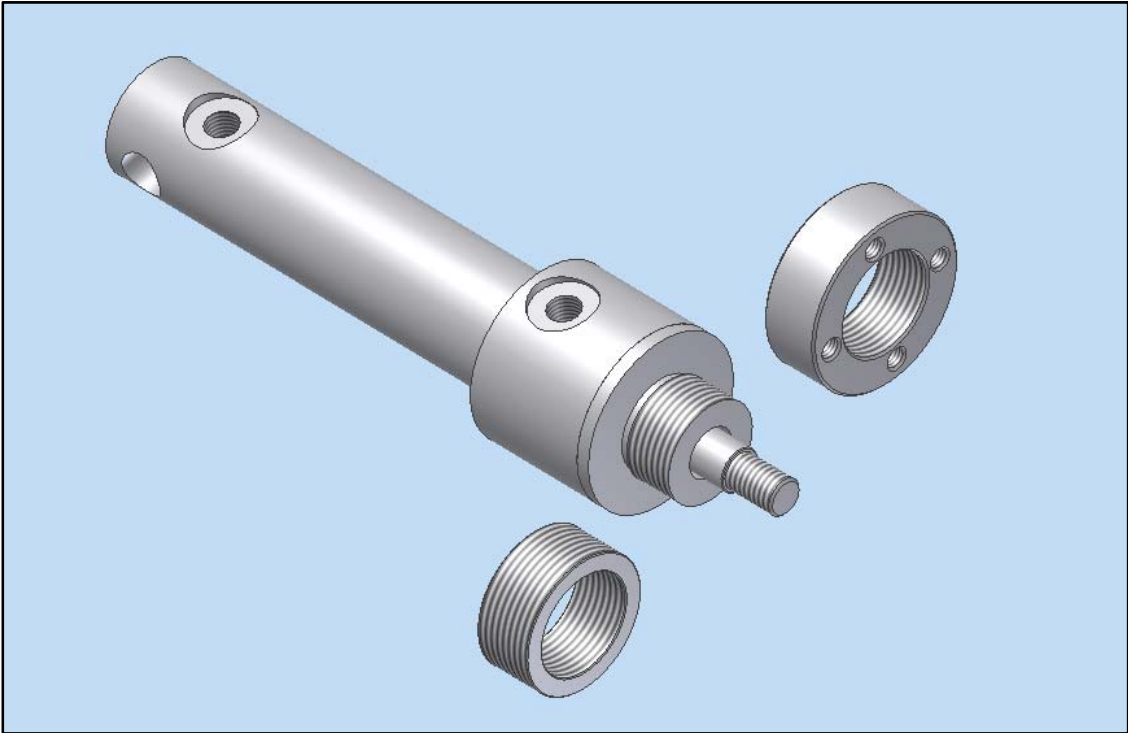
Ends.

For further information please contact:

Wendy Glover
PR & Communications
Hydro-Lek Ltd
Falcon House
Ivanhoe Road
Hogwood Lane Industrial Estate
Finchampstead
Berkshire
RG40 4QQ
Tel +44 (0) 118 9736903
Mobile +44 (0) 7795 243998
Email: enquiries@hydro-lek.com

Chris Lokuciewski
Managing Director
Hydro-Lek Ltd
Falcon House
Ivanhoe Road
Hogwood Lane Industrial Estate
Finchampstead
Berkshire
RG40 4QQ
Tel +44 (0) 1118 9736903
Mob +44 (0) 7766 088585

www.hydro-lek.com



Hydro-Lek's New HLK 14000 series compact aluminium cylinders