

HLK-31050

Suction Pump



Features

- Venturri device which can be driven from the HLK-31020 water jet pump or similar water supply
- Compact and fitted with a reversing valve to enable flows in both directions.
- Capable of delivering 100 litres/minute, for a 9 litre/minute input from the pressure source, to a maximum head of 2 - 3 metres
- Lightweight - only 1.6Kg in water.

Specification:

| | | |
|------------------------|--|-------|
| Dimensions | Length (Less Hoses) | 174mm |
| | Width (Less Fittings) | 75mm |
| | Height (Less Fittings) | 86mm |
| Water Jet Input | <8 litres/min @ 120 Bar | |
| Output | Max Head 4Metres (Static) Flow 100 Litres/min (4.5 M ³ /min) | |
| Weight | Weight in air | 2Kg |
| | Weight in water | 1.6Kg |
| Construction | 316 SS HE 30 Hard anodised aluminium | |

Specification:

Dimensions

Length
Width
Height

174mm (Less Hoses)
75mm (Less Fittings)
96mm (Less Fittings)

Water Jet Input Output

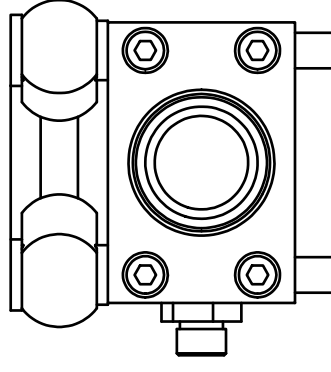
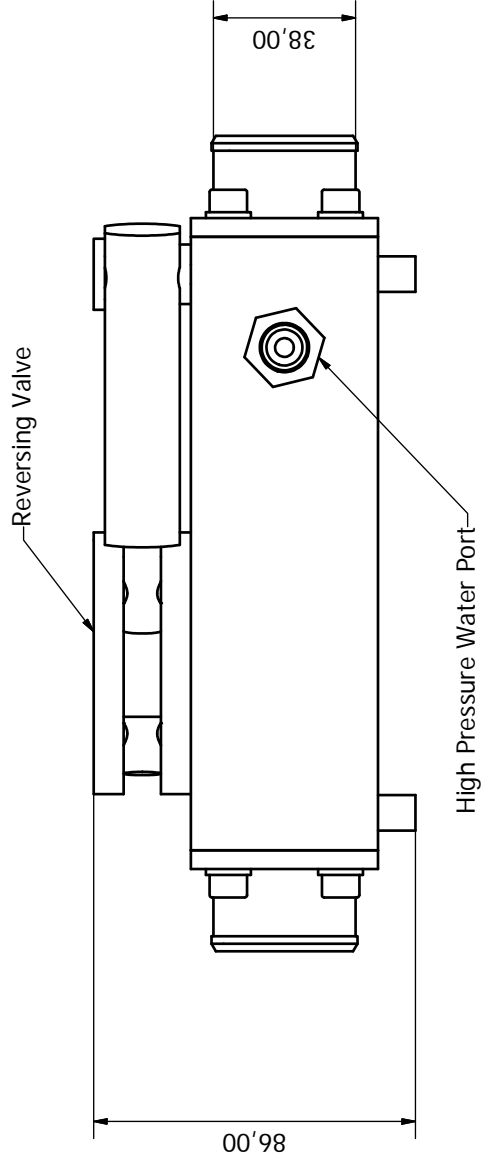
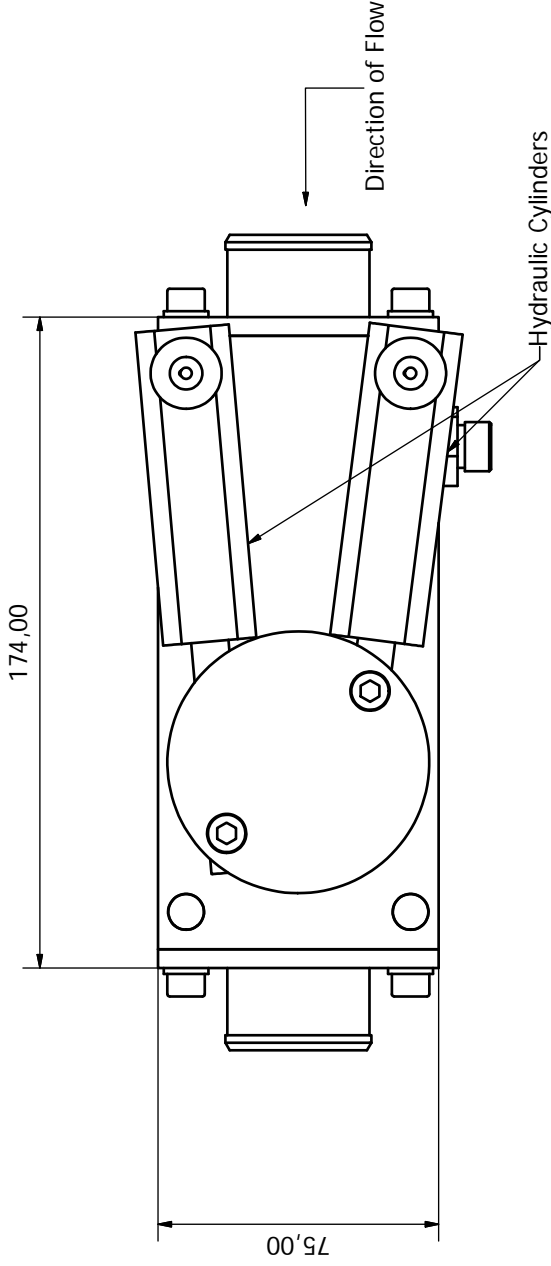
9 Litres/min @ 120 Bar
Max Head 2.8 Metres Static
Flow 100 Litres/min (4.5 M3/min)

Weight

in air
in water

2.0Kg
1.6Kg
316 Stainless Steel
HE 30 Hard anodised aluminium

Construction



| | | | |
|--|------------|-------------|--------------------|
| Designed by Alan Green | Checked by | Approved by | Date 31/03/2008 |
| Hydro-Lek Limited, Falcon House Falcon Business Park, Ivanhoe Road Hogwood Lane Industrial Estate Finchampstead, Berks. RG40 4QQ Tel: 0118 9736903 Fax: 0118 9736915 | | | |
| HILK-31050 | | | Edition 0 |
| Venturri | | | Sheet 1 / 1 |