

HLK-31020

Water Jet 6KW



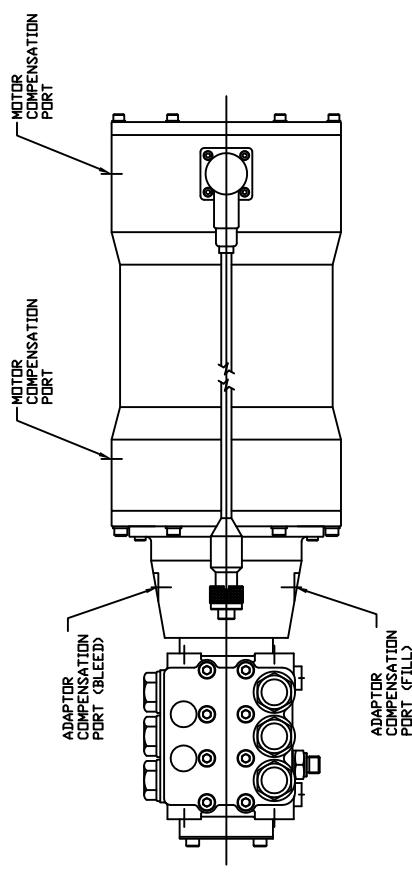
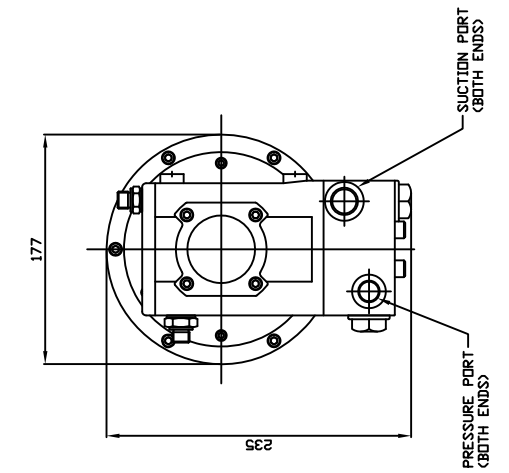
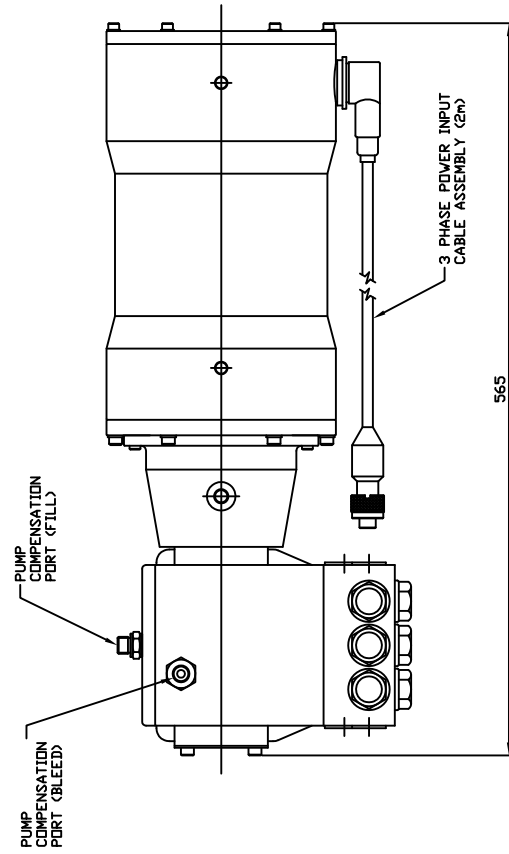
Features

- 3-phase motor pump delivers 12.5L/minute at 110 BAR
- 6 kW Water Jet system supplied as a 440V or 660V unit
- Designed for subsea cleaning tasks prior to intervention
- Can be deployed by manipulator or directly onto ROV
- Incorporates stainless steel filter and an over pressure relief valve

Specification:

Dimensions	Length	550mm
	Width	240mm
	Height	180mm
Electrical	Supply voltage	440 / 660V 3-phase
	Power	4.5KW (Nom)
Output	Pressure	110 Bar at 12.5L/min
	Flow	12.5L/min
Weight	Weight in air	38Kg
	Weight in water	27Kg
Construction		6082-T6 Hard anodised aluminium

ISS	DCN	DESCRIPTION	DATE	SIGN	CHK'D
-	-	-	-	-	-



SPECIFICATION

INPUT: 440 OR 660 VOLT 3-PHASE
 4.5kW (NOM)

OUTPUT: 110 bar
 12.5 l/min

PORTS: 3/8" BSPP (FEMALE)
 1/2" BSPP (FEMALE)
 MOTOR COMP: 1/8" NPT (FEMALE)
 ADAPTOR COMP: 1/8" NPT (FEMALE)
 PUMP COMP: 1/4" BSPP (MALE)

DIMENSIONS: LENGTH: 565mm
 WIDTH: 235mm
 HEIGHT: 177mm
 MOUNTING DIA: 164mm

WEIGHT: IN AIR: 38.0kg
 IN WATER: 27.0kg

MATERIALS: ALUMINIUM ALLOY 6082-T6 (HE30)
 HARD BLACK ANODIZED
 STAINLESS STEEL - 316

Designed by J0	Checked by	Approved by -	File name HLK 3102-A Outline GA	Date 05/03/10	Scale 1:3
Hydro-Lek Limited Falcon House, Ivanhoe Road, Hogwood Lane Industrial Estate, Finchampstead, Berks, RG40 4AQ. Tel: 0118 9736903			WATER JET - 3ph 4.5kW MOTOR		
			HLK 31020	Issue A	Sheet A3