

HLK-70120

Dual Tank Return Valve



Features

- **Emergency Release Valve** designed to allow hydraulic system to relieve back to tank in the event of electrical power loss to the valve
- **The two input ports are blocked from the tank port by poppet valves** which open when power is lost, allowing flow between the input ports to the tank return port

Specification:

Dimensions	Length	160 mm
	Width	60 mm
	Height	120 mm
Weight	Weight in air	2.75Kg
	Weight in water	1.75Kg
Functions		2 x N/O solenoid poppet valves
Connector		3-way Micro series male bulk head
	Voltage	Standard 24V DC
Hydraulics	Maximum Working Pressure	210 Bar
Construction		Hard Black Anodised Aluminium
		316 Stainless Steel Fittings

Electrical specification

Connector MCBH3M
 Pin 1 Coil
 Pin 2 Coil
 Pin 3 Earth

Coils 24V DC (Standard)
 Other voltages available

Specification

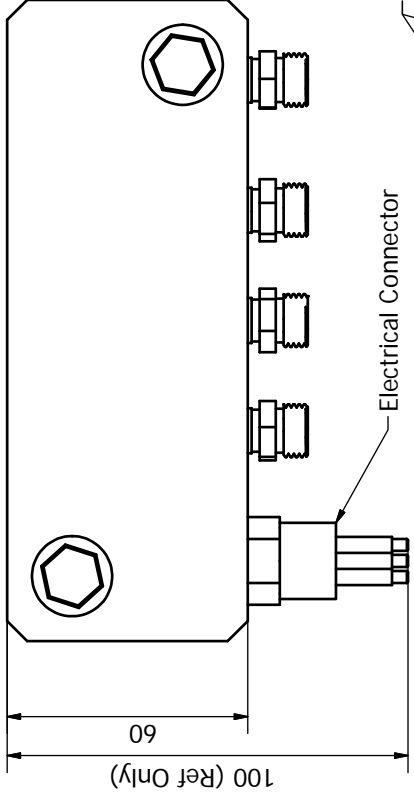
Dimensions:
 Length 160mm
 Height 120mm
 Width 60mm
 Weight:
 In Air 2.75Kg
 In water 1.75Kg

Functions:
 Dual Port Normally Open to Tank with no voltage supply

Porting:
 1/4" BSP

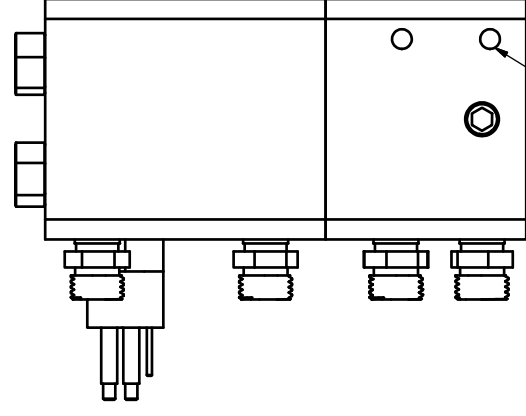
Max Working Pressure:
 210BAR

Construction:
 Hard Black Anodised Aluminium
 316 Stainless steel fittings

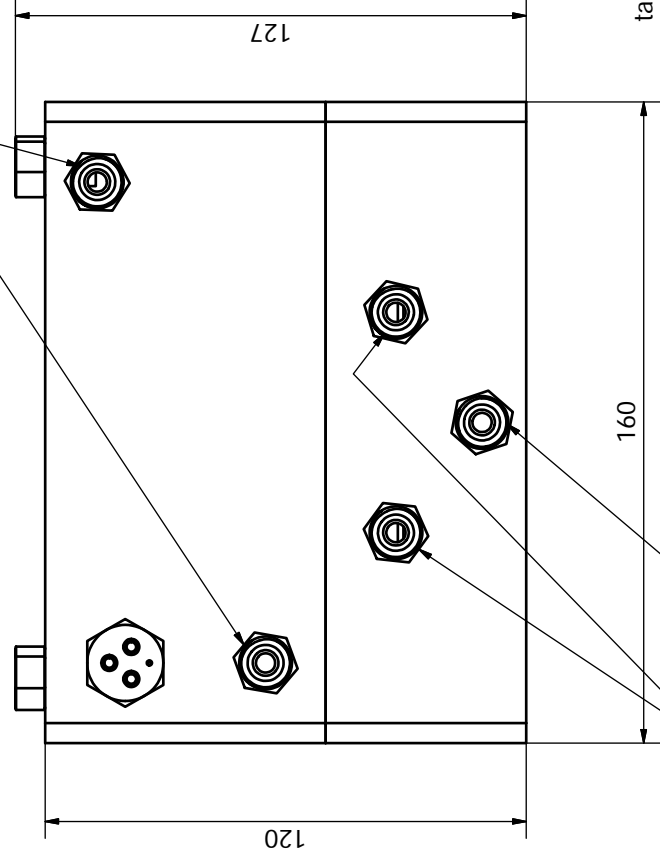


Electrical Connector

Compensation Port
 (Cover Taped 7/16" SAE)

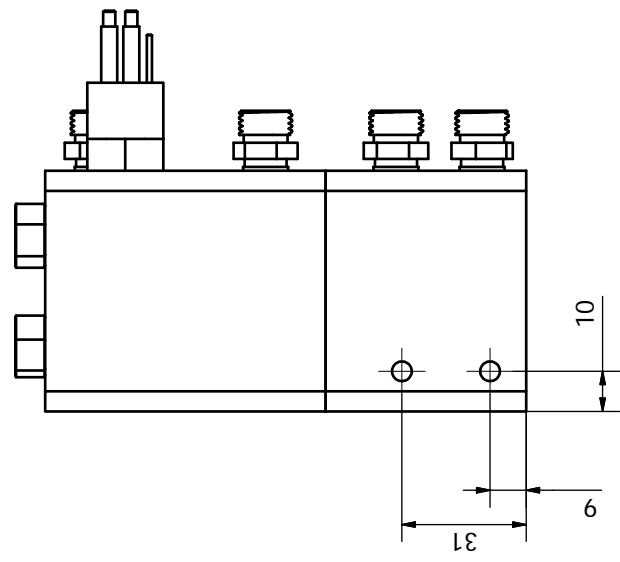


2 Mounting holes each side
 taped M6 x 1.0, 12.0mm deep



Input Ports - 1/4" BSP
 (Manifold taped 1/8" NPT)

Tank Return Port - 1/4" BSP
 (Manifold taped 1/8" NPT)



Designed by Alan Green	Checked by	Approved by	Date 08/03/2011
Hydro-Lek Limited, Falcon House Hogwood Lane Industrial Estate Finchampstead, Berks. RG40 4QQ Tel. 0118 9736903 Fax. 0118 9736915			
Dual Tank Return Valve Data			Sheet 1 / 1
HLK-70120			Edition B

Specification subject to change without prior notification