



# HYDRO-LEK

REMOTE HANDLING SPECIALISTS



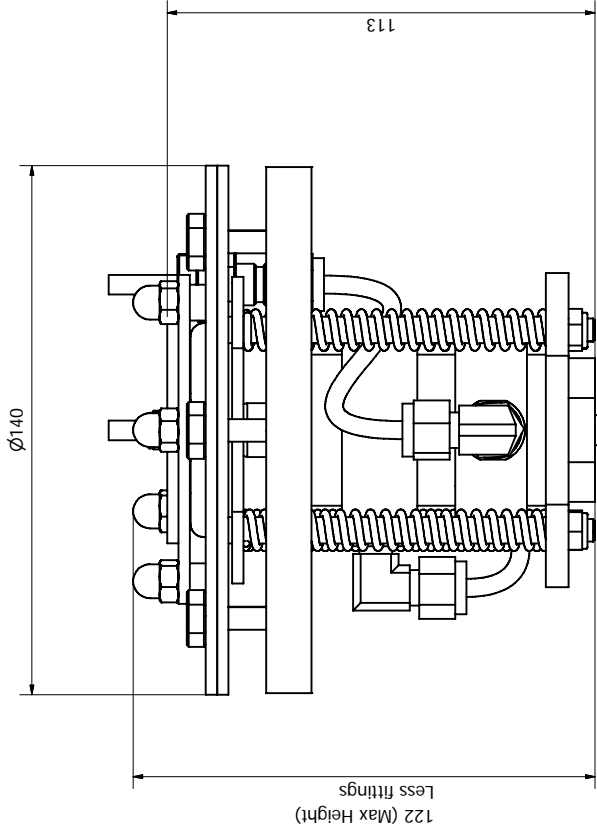
## HLK-60210 Dual Port Vent valve:

The HLK-60210 Dual Port Vent Valve is designed for fitting to soft tanks on submersibles and air lift devices. It incorporates a unique dual supply piston drive which enables the vent valve to be operated from two different supplies. These can be either hydraulic, air or a combination of both.

### Specification:

<b>Dimensions</b>	<b>Height</b>	<b>120mm</b>
	<b>Max Diameter</b>	<b>140mm</b>
	<b>Fitting Hole</b>	<b>90mm Diameter</b>
<b>Weight</b>	<b>Weight in air</b>	<b>2.3Kg</b>
	<b>Weight in water</b>	<b>2.0Kg</b>
<b>Ports</b>	<b>Nominal Working Pressure</b>	<b>20 – 200BAR</b>
	<b>Pressure In &amp; Emergency</b>	<b>1/4"Swagelok</b>
<b>Construction</b>	<b>316 Stainless Steel</b>	

**Specification & Dimensions subject to change without prior notification**



Securing Bolts with O Ring Seals  
6 off

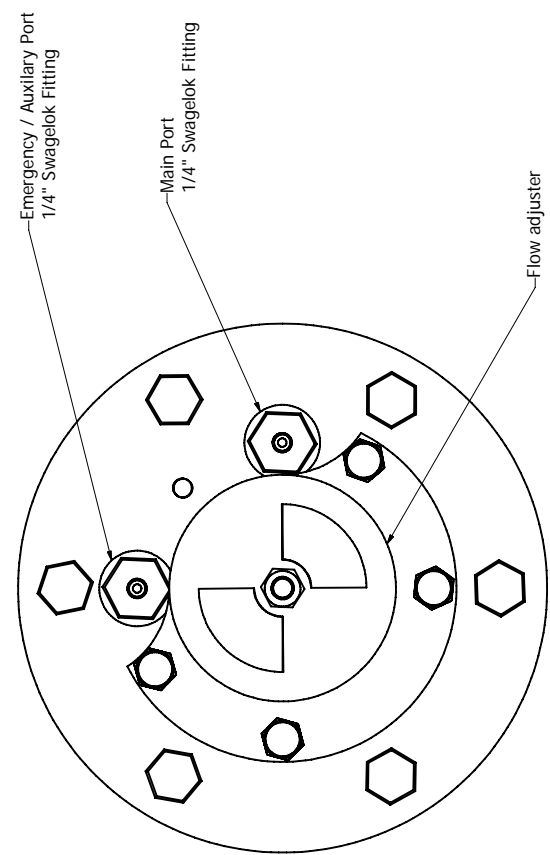
Neoprene Gasket Seal

Clamp Plate for mounting  
Vent Valve to tank

Depth required inside tank

Ø92

Mounting Hole Diameter required in Tank



Designed by Alan Green	Checked by	Approved by	Date	21/02/2008
HydroLeak Limited, Unit 4, Weller Drive Highwood Industrial Estate Finchampstead, Barks, RG40 4GZ Tel: 0118 9736903 Fax: 0118 9736915			Dual Port Vent Valve	
HLK-60210			Edition	0
			Sheet	1 / 1

All dimensions in mm