

# HLK-6020

## Pressure Regulator Valve



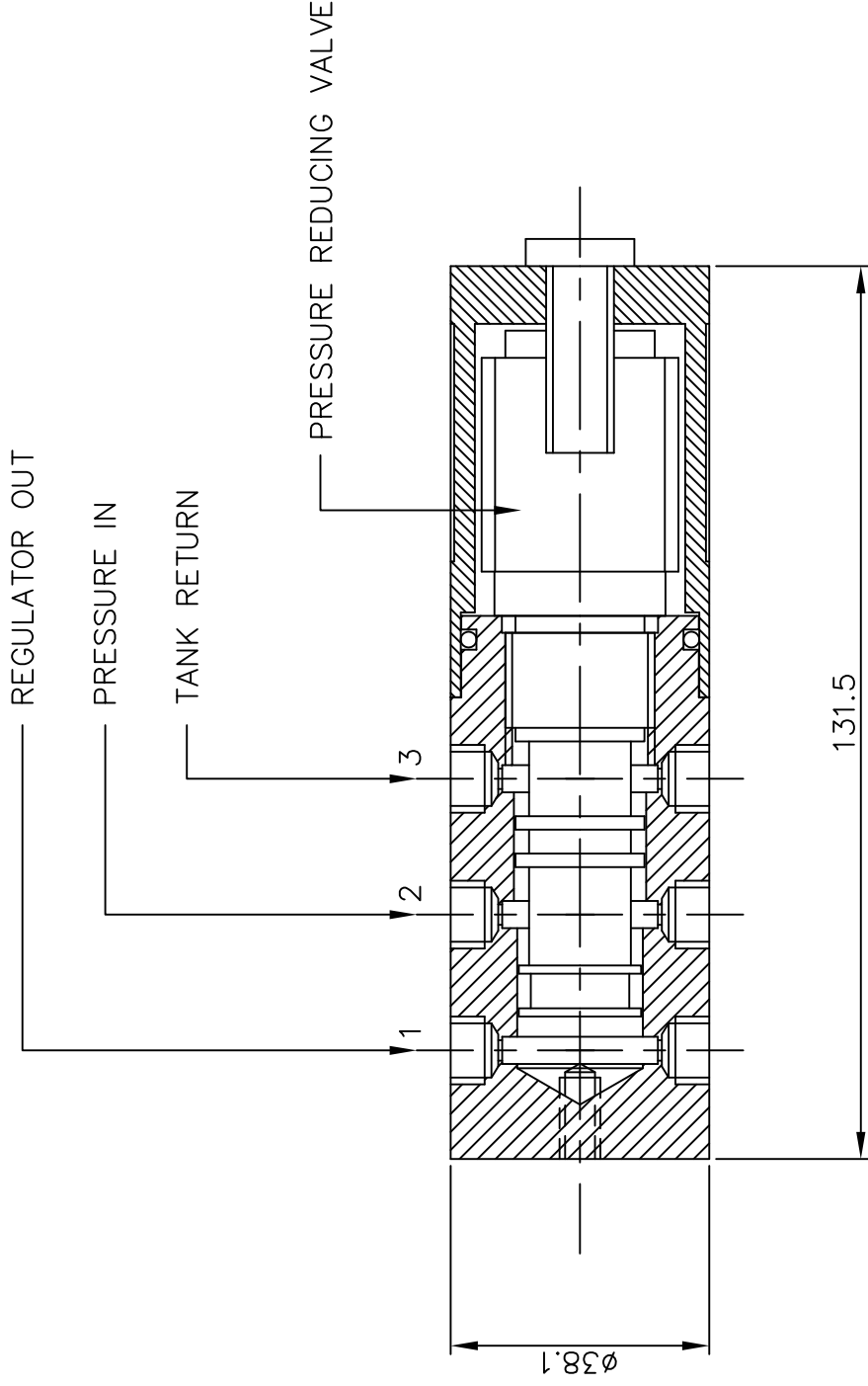
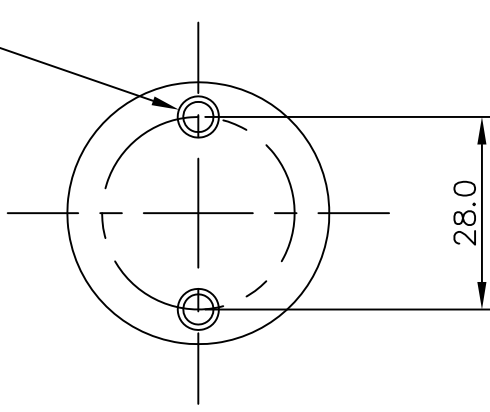
### Features

- Equipped to carry different pressure rated cartridges
- Fully adjustable through the ranges fitted
- Ports are duplicated to allow multiple feed and output circuits, as well as access points for pressure gauges

### Specification:

<b>Dimensions</b>	Length	132mm
	Diameter	38mm
<b>Weight</b>	Weight in air	1.1Kg
	Weight in water	0.95Kg
<b>Mounting Holes</b>		2 x M6 on a 28 mm PCD
<b>Porting</b>		1/8 NPT
<b>Pressure Cartridge Ratings</b>		0-20 Bar
		20-75 Bar
		30-140 Bar
<b>Maximum Flow</b>		20 Litres/min
<b>Construction</b>		316 SS

2 NO. FIXING HOLES  
M6 x 1.0P x 12.0 DP.



SPEC: -

WEIGHT IN AIR 1.1 KGS  
 WEIGHT IN WATER 0.95 KGS  
 PORTS 1/8" NPT  
 WORKING PRESSURE 210 BAR  
 MATERIALS 316 ST.ST.

HYDRO-LEK LTD.	HLK-6020 PRESSURE REGULATOR ASSY.
ISS. DATE: -	MAT: -
CHKD BY: -	REV. NO: - 1
DRG. NO: -	HLK 6020/DATA
DRAWN BY: -JW	23/5/00