

HLK-60120

Bi-Directional Valve



Features

- Houses a bi-directional solenoid operated cartridge valve
- Capable of handling up to 9 litres/min
- Ports can be configured to suit various options
- Can be fitted with a standard on/off or proportional control valve

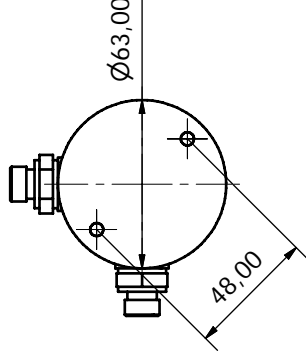
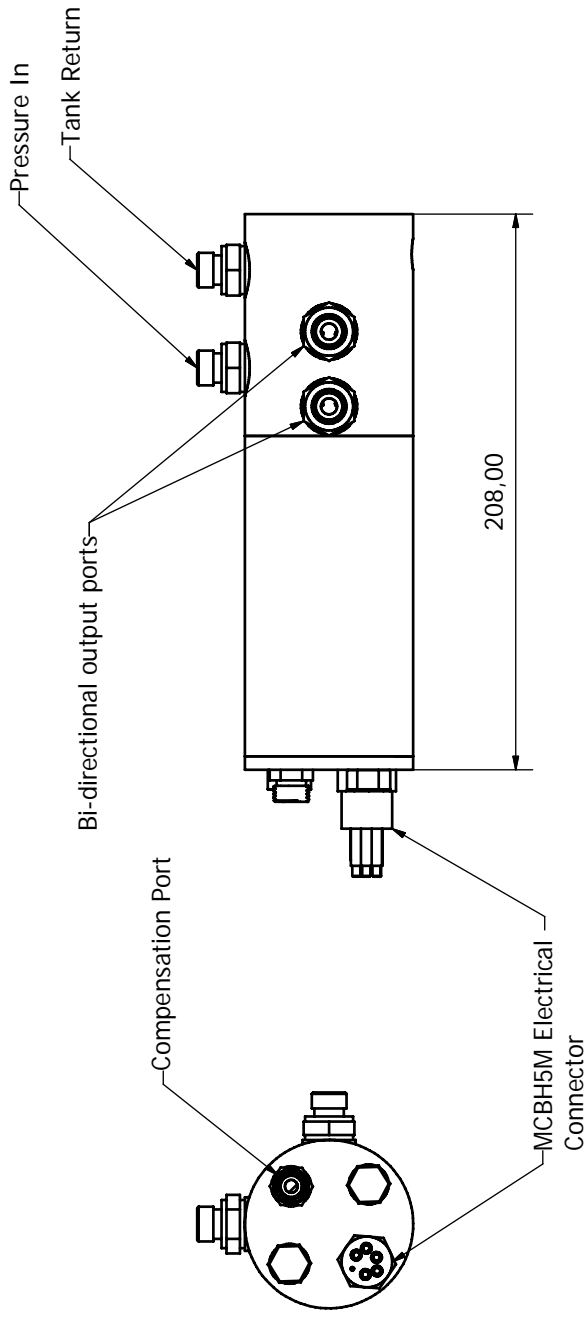
Specification:

Dimensions	Length	208mm
	Diameter	63mm
Weight	Weight in air	1.4Kg
	Weight in water	0.8Kg
Ports	Pressure, Tank & Output	1/4" BSP
	Compensation	1/8" NPT
Maximum Working Pressure		210 Bar
Maximum Flow		9 Litres/min
Coil Voltage		24V DC
Construction		HE30 Aluminium Hard Black Anodised

Specification & Parts Subject to Change Without Prior Notification

Wiring Information

- Pin 1 = Coil A -
- Pin 2 = N/C
- Pin 3 = Coil A +
- Pin 4 = Coil B -
- Pin 5 = Coil B +



Designed by Alan Green	Checked by	Approved by	Date 28/02/2008
Hydro-Lek Limited, Unit 4, Weller Drive Hogwood Lane Industrial Estate Finchampstead, Berks · RG40 4QZ Tel. 0118 9736903 Fax. 0118 9736915		Bi-pass / Tooling Valve	
HILK-60120		Edition 0	Sheet 1 / 1