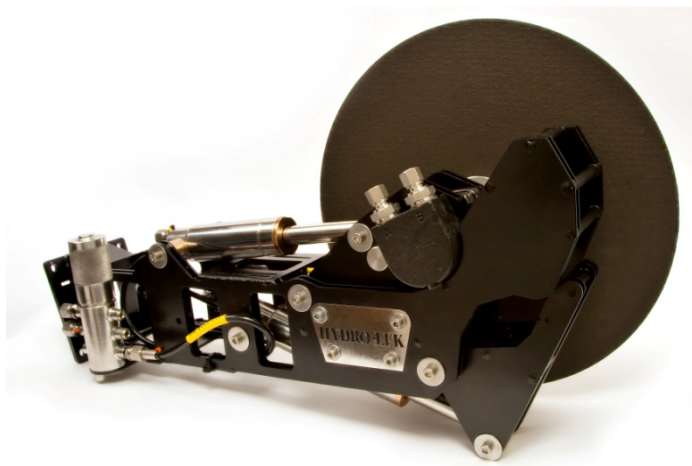


HLK-33625

6" Rotary Cutter



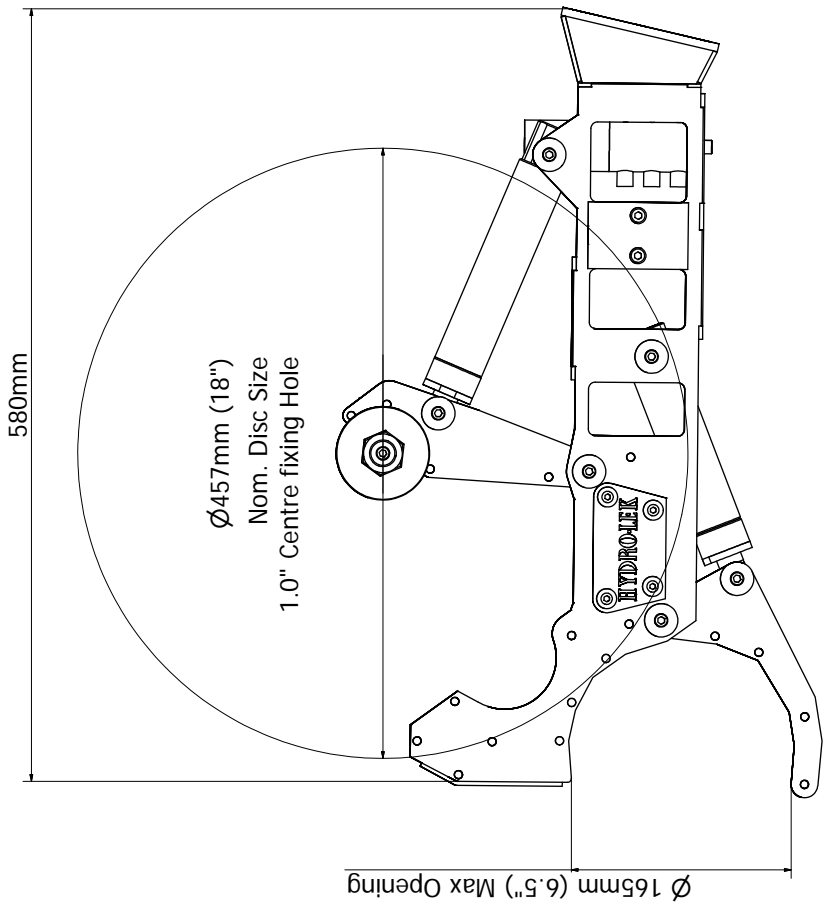
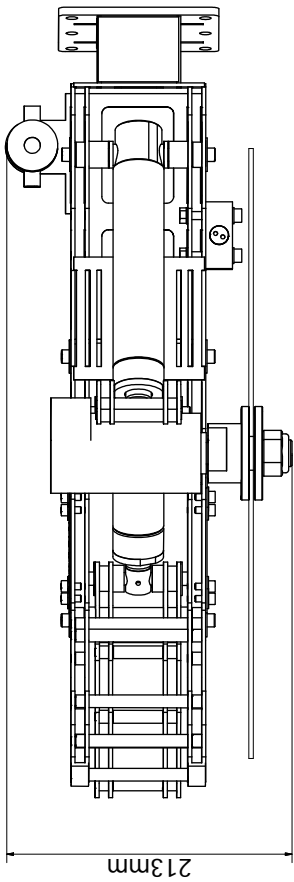
Features

- Self-contained grab, feed and cut unit
- Capable of cutting pipe, cable or grout hose
- Weighs only 14 Kg

Specification:

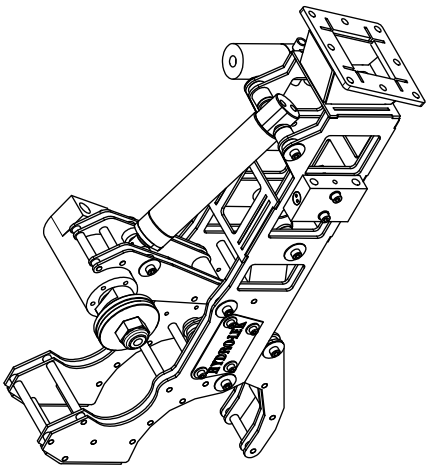
Dimensions	Length	580mm
	Height (less disc)	375mm
	Width	213mm
Function	Cutting disc size	<18" (460mm)
	Rotational speed	400-1000rpm
	Grab	165mm-400mm
Weight	Weight in air	13Kg
	Weight in water	11Kg
Construction	316 SS	
Hydraulics	Max working pressure	210 BAR
	Recommended working pressure	180 Bar (to achieve 6" cut)
	Min Flow (Cutter disc)	8 Litres/min
Ports	1/8 NPT / 3/8 BSP	

Specification & dimensions subject to change without prior notification



SPECIFICATION

MAX Jaw Opening	165mm
MAX Cutting size	152mm
MIN Cutting Size	38mm
Cutter rotational Speed	400 - 1000 RPM
Weight (in air)	13Kg
Weight (in water)	11Kg
Max Working Pressure	210 BAR
Ports	1/8" NPT & 3/8" BSP
Materials	316 S.S.



Property	Created by	Approved by	Date
Alan Green			05/03/2007
Hydro-Lok Limited, Unit 4, Walker Drive Heywood Lane Industrial Estate Frimchamstead, Berks. RG40 4QZ Tel: 0118 9728908 Fax: 0118 9728915			
6" Cutter Assembly			Revision
			1 / 1
			0