

# HLK-2290

## Compact Camera Rotator

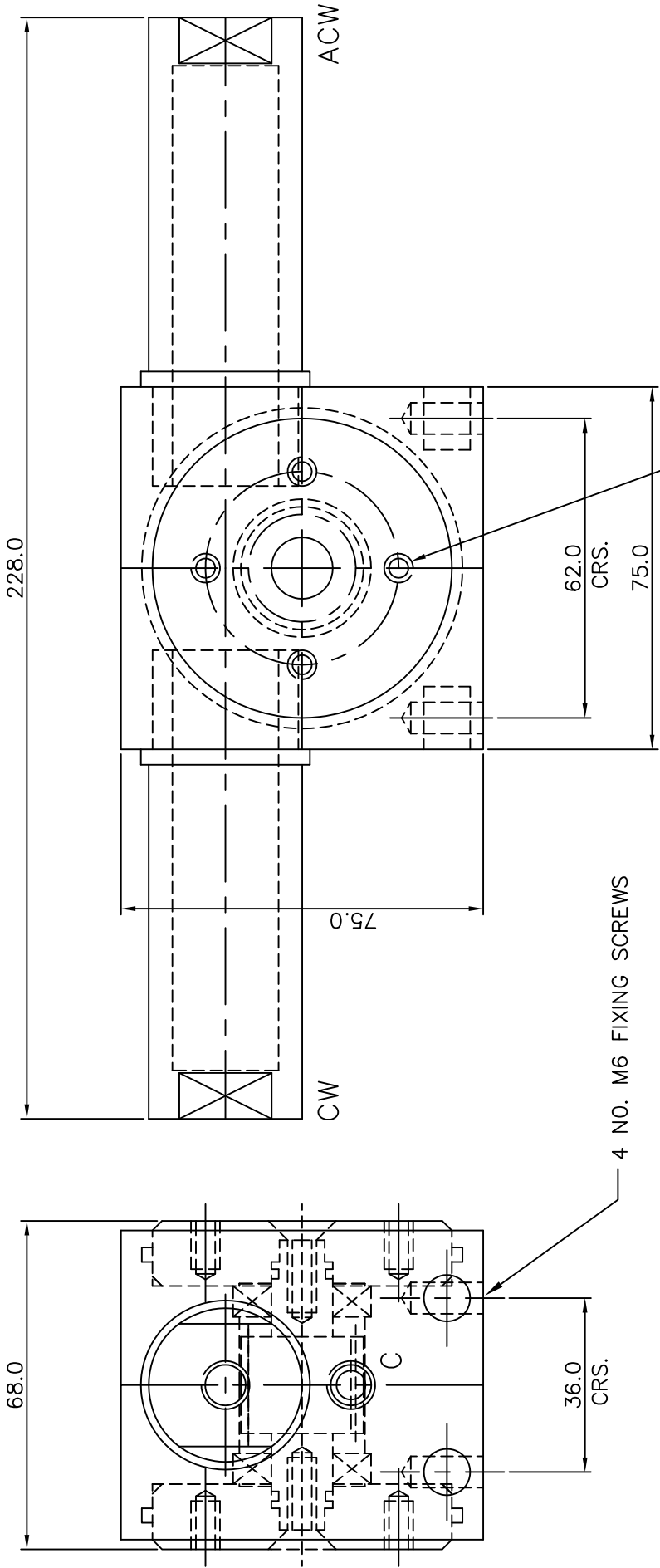


### Features

- Designed to carry observation cameras in subsea robotic, ROV and tooling environments
- Constructed from 316 Stainless Steel and acetal, it is ideal for permanent subsea installation on steel structures
- Having through body rotating plates, it makes it an ideal camera and lighting platform

### Specification:

<b>Dimensions</b>	Height	75 mm
	Width	230mm
	Depth	70mm
<b>Function</b>	Pan	360°
<b>Weight</b>	Weight in air	2Kg
	Weight in water	1.5Kg
<b>Ports</b>		1/8" NPT - 7/16 SAE
<b>Hydraulics</b>	Pan torque	100 Nm @180 Bar
	Maximum Working Pressure	210 Bar
<b>Construction</b>		316 SS Acetal



4 NO. M6 FIXING SCREWS

4 NO. M6 FIXING HOLES  
EQUI-SPACED AS SHOWN ON A 40.0 PCD.

PORTS

C =  
CW =  
ACW =

COMPENSATION  
PAN CLOCKWISE  
PAN C/CLOCKWISE

SPECIFICATION

PAN ANGLE 360°  
 MAX. WORKING PRESS. 210 BAR  
 PAN TORQUE 100 NM  
 OVERALL HEIGHT 75  
 OVERALL WIDTH 68/228  
 WEIGHT IN AIR 2.0 KG  
 WEIGHT IN WATER 1.5 KG  
 PORTS 1/8" NPT / 7/16" SAE  
 MATERIALS: - ACETAL  
 316 ST. STEEL

HYDRO-LEK LTD	HLK-2290 COMPACT CAMERA ROTATOR
ISS. DATE: -	MAT: - VARIOUS
CHKD BY: -	REV. NO: - 1
DRAWN BY: -	JW 4/5/00
	DRG. NO: - HLK 2290/DATA