

# HLK-2200

## Camera Rotator

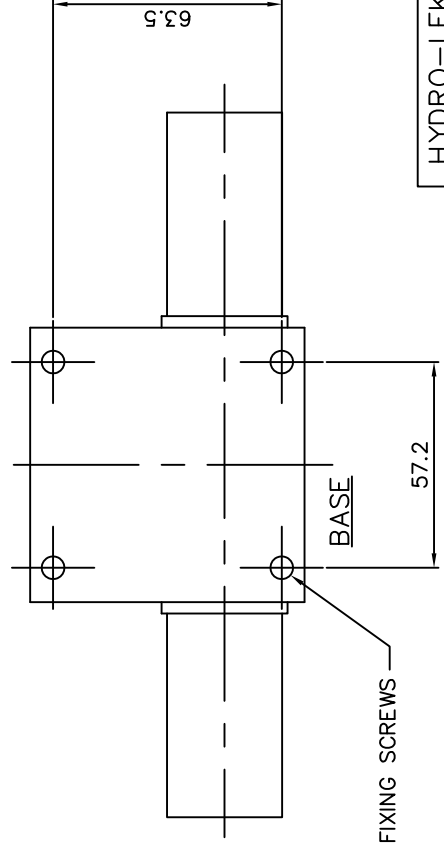
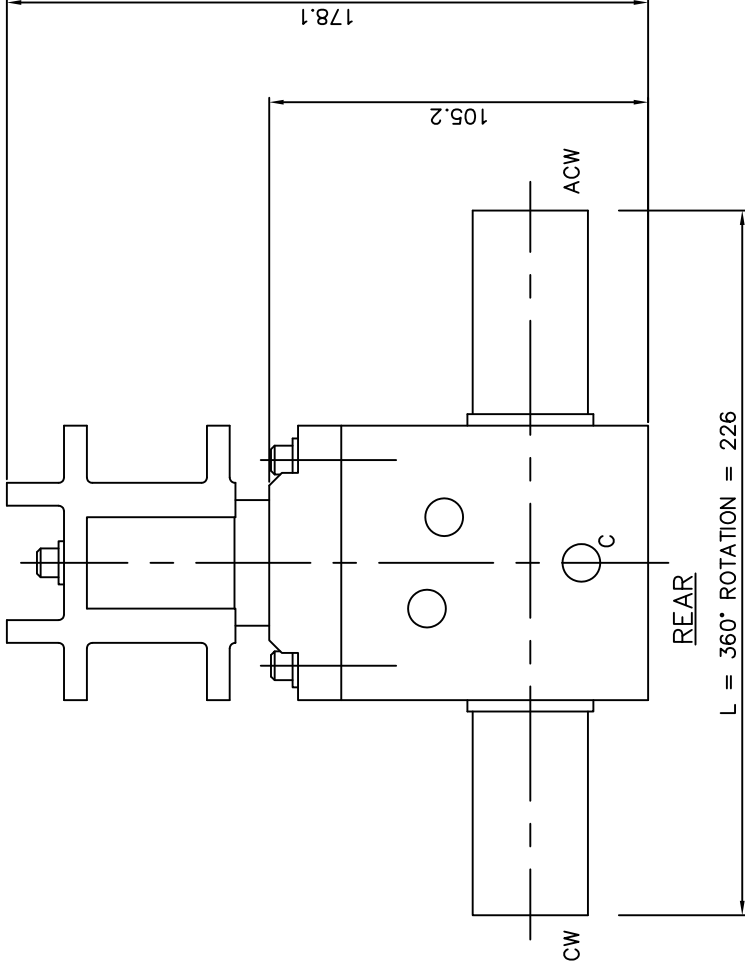
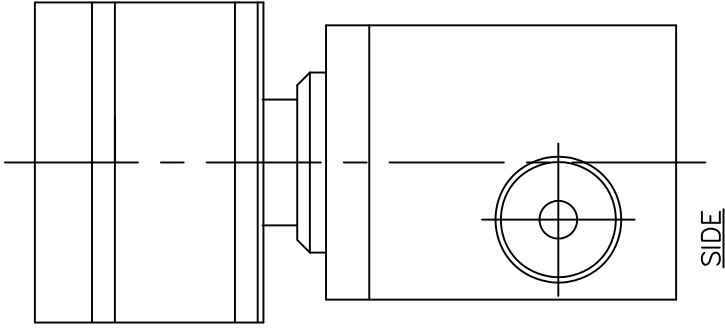


### Features

- Derivative of the HLK-2150 Pan & Tilt, using same base section and camera mount clamp
- Rugged shaft and ideal as tilt or pan unit only

### Specification:

<b>Dimensions</b>	Height	178mm
	Width (360° rotation)	226mm
	Depth	76mm
<b>Function</b>	Pan	360°
<b>Weight</b>	Weight in air	3Kg
	Weight in water	2.2Kg
<b>Ports</b>		1/8" NPT - 7/16 SAE – 1/4" BSP
<b>Hydraulics</b>	Maximum Working Pressure	210 Bar
<b>Construction</b>		316 SS
		HE 30 hard anodised aluminium alloy



PORTS

C = COMPENSATION  
 CW = PAN CLOCKWISE  
 ACW = PAN C/CLOCKWISE

SPECIFICATION

PAN ANGLE 360°  
 MAX. WORKING PRESS. 210 BAR  
 PAN TORQUE 100 NM  
 OVERALL HEIGHT 178  
 OVERALL WIDTH 226  
 WEIGHT IN AIR 3.0 KG  
 WEIGHT IN WATER 2.2 KG  
 PORTS 1/8" NPT / 7/16" SAE  
 MATERIALS: - HE 30 ALUMINIUM  
 316 ST. STEEL

HYDRO-LEK LTD	HLK-2200 CAMERA ROTATE
ISS. DATE: -	MAT: - VARIOUS
CHKD BY: -	REV. NO: - 1
DRAWN BY: -	JW 19/8/99