

HLK-90150 HPU Series

The HLK-90150 Power Pack is a 3-phase 4.3KW hydraulic power pack.

Features

- Submersible Hydraulic Power Unit
- 50/60Hz 3-Phase 2 Pole Electric Motor wound for 440V or 660V input
- Motor is fitted within an oil-filled, pressure-compensated housing (Independent to hydraulic oil circuit)



Specifications

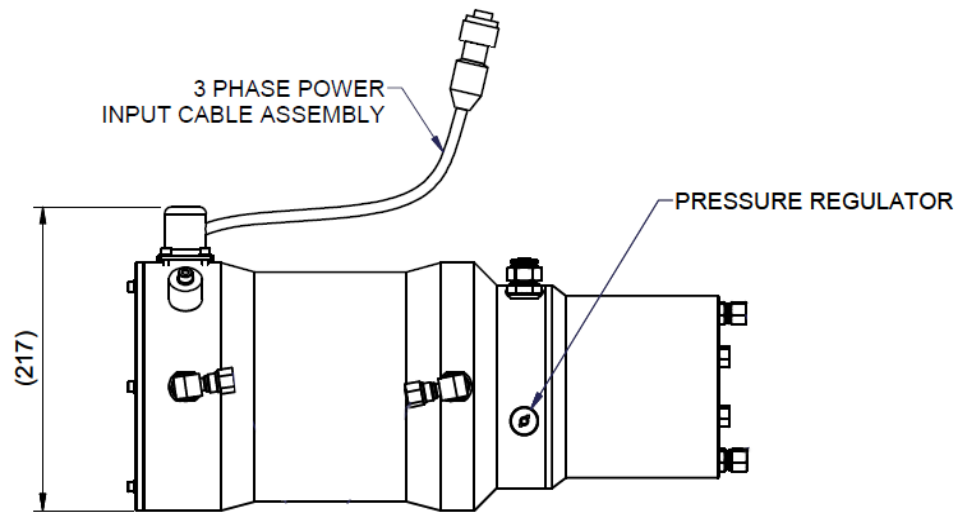
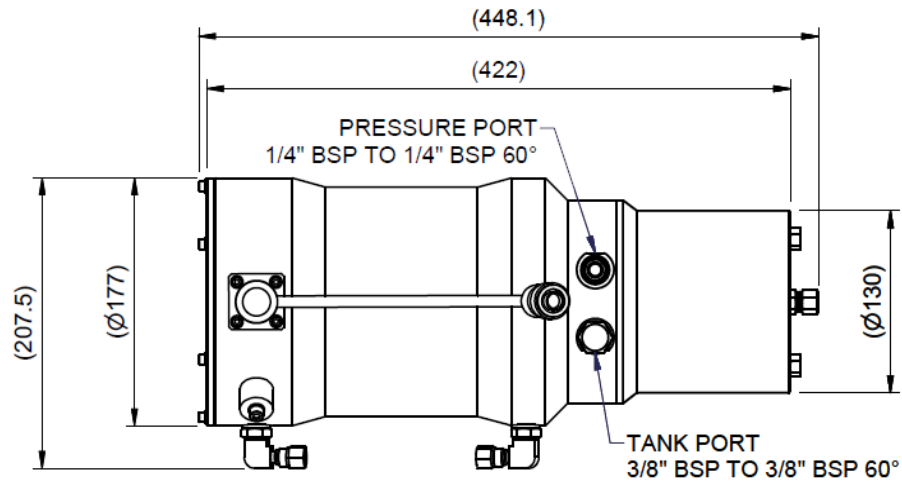
Input Voltage (VAC / 3-Phase)	440/660	
Input Frequency (Hz)	50	60
Pump Displacement (cc)	4.2	
Synchronous Speed (RPM)	3000	3600
Output Pressure Max. (Bar)	140	
Output Flowrate (LPM)	10.9	13.1 *
Input Power (kW)	4.3	
Dimensions		
Length (mm)	422	
Diameter (mm)	177	
Weights		
Weight in air (kg)	23	
Weight in seawater (kg)	15	
Hydraulic Ports	1/4" BSP Pressure	
	3/8" BSP Return	
	1/4" BSP Compensation	

* 60Hz figures are theoretical / provisional – values to be updated following test

All values are nominal unless otherwise stated.

Subject to change without notice.

HLK-90150 3-phase 4.3KW Hydraulic Power Pack



Hydro-Lek Ltd

20 Brunel Way, Segensworth East, Fareham, PO15 5SD

Tel: +44(0) 1489-898000

Email: enquiries@hydro-lek.com www.hydro-lek.com