

# HLK-2100

## Mini Pan & Tilt

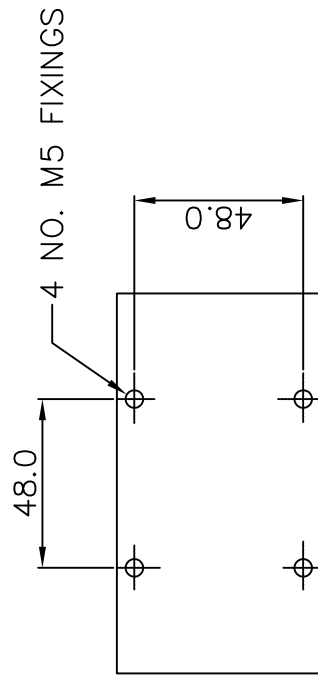
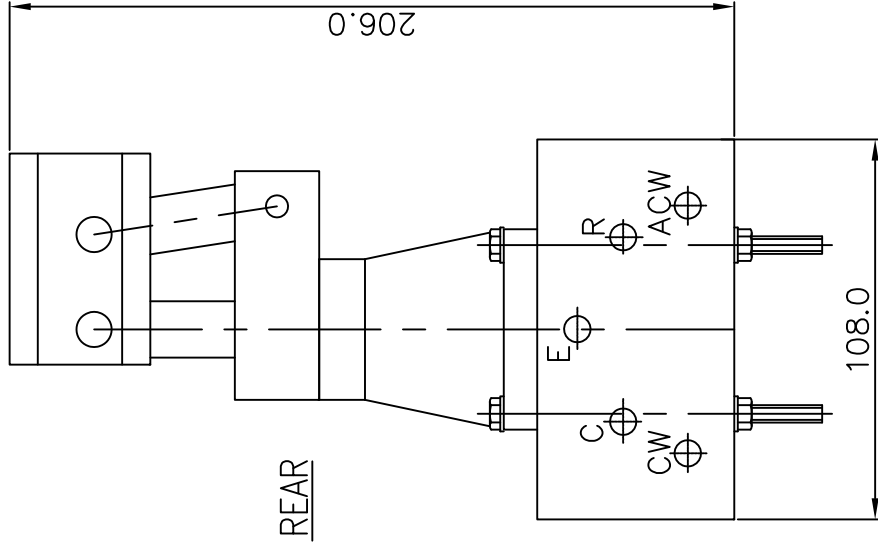
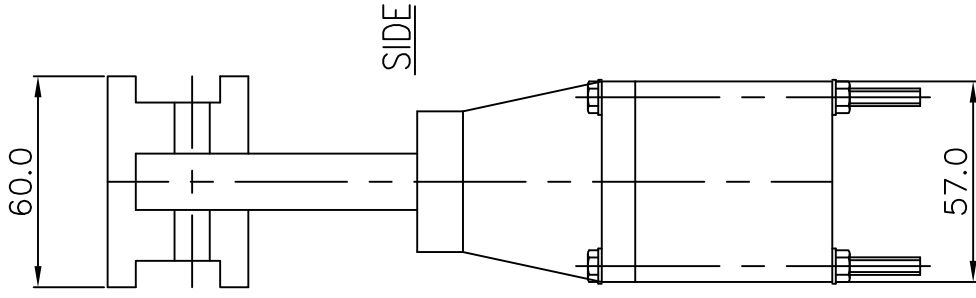


### Features

- Designed to be fitted to small ROVs to enable miniature lightweight cameras or lights to be installed
- Unique slip ring and tilt action ensures the camera swept arc is kept to a minimum
- Easy plumbing with all hydraulic ports located at the rear of the block

### Specification:

<b>Dimensions</b>	Length	206mm
	Width	108mm
	Depth	60mm
<b>Function</b>	Pan	180°
	Tilt	90°
<b>Weight</b>	Weight in air	2.0Kg
	Weight in water	1.3Kg
<b>Ports</b>		7/16 SAE - 1/8" NPT
<b>Hydraulics</b>	Maximum Working Pressure	210 Bar
<b>Construction</b>		316 SS HE30 Hard Anodised Aluminium



SPECIFICATION

PAN ANGLE 180°  
 TILT ANGLE 90°  
 MAX WORKING PRESSURE 210 BAR  
 PAN TORQUE 14 NM  
 TILT TORQUE 40 NM  
 OVERALL HEIGHT 206 mm  
 OVERALL WIDTH 108 mm  
 WEIGHT IN AIR 2 Kg  
 WEIGHT IN WATER 1.3 Kg

PORTS 1/8 NPT – 7/16 SAE  
 MATERIALS : HE30 ALUMINIUM  
 316 STL STEEL

PORTS

E = TILT EXTEND  
 R = TILT RETRACT  
 C = COMPENSATION  
 CW = PAN CL / WISE  
 ACW = PAN C CL / WISE

HYDRO-LEK LTD	HLK-2100 MINI PAN AND TILT
ISS. DATE: -	MAT: -
CHKD BY: -	REV. NO: - 1
DRAWN BY: - JW 4/5/00	DRG. NO: - HLK 2100/DATA