



HLK-RHD5

5-Function Heavy Duty Manipulator

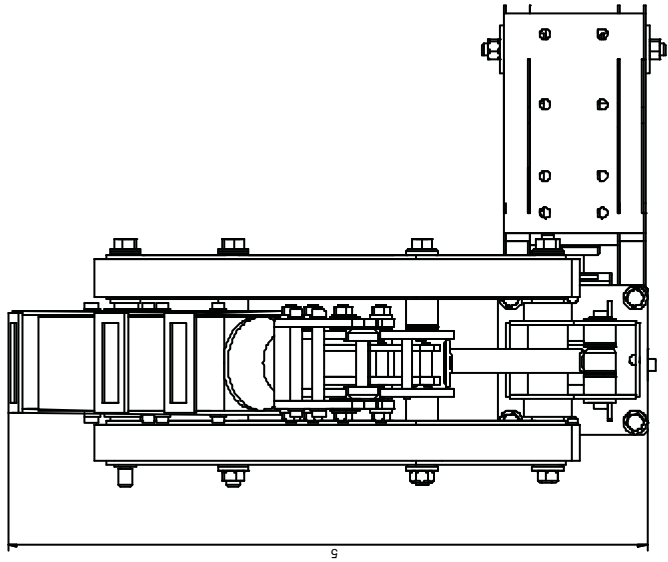
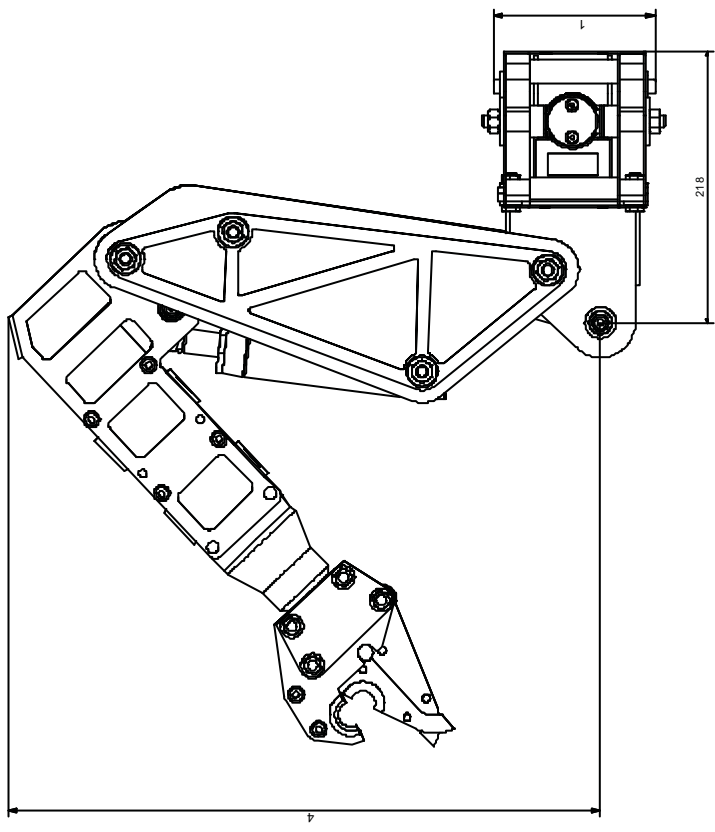
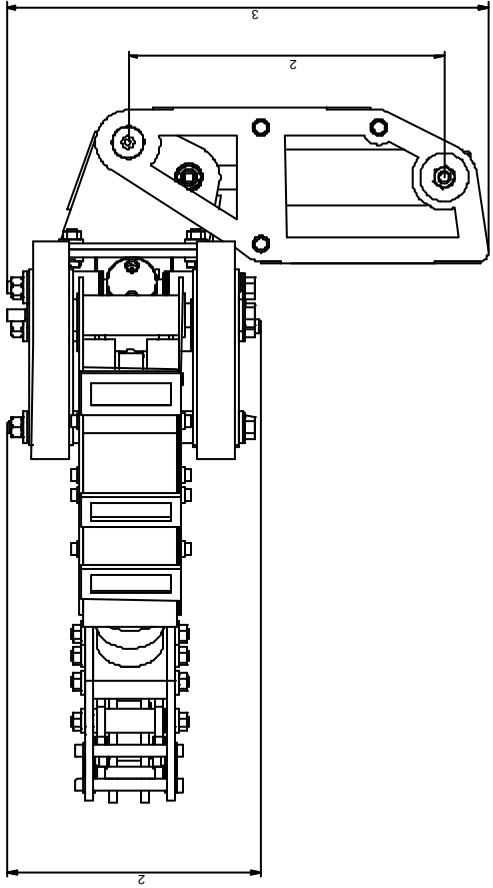


Features

- 5 degrees of freedom manipulator
- Rugged and tough
- Excellent dexterity and articulation
- Lift of 80Kg at full reach
- Incorporates 19mm soft rope cutter
- Port or starboard mounting configurations on slew plate

Specification:

Dimensions	Length of arm	943mm
	Length of slew plate	250mm
	Height (Stowed)	515mm
	Width	200mm
Capacities	Jaw rotate	360° continuous
	Torque at 140 Bar (across ports)	38Nm
	Lift capacity at full reach at 160 Bar	80Kg
Weight	Weight in air	30Kg
	Weight in water	20Kg
Construction		316 SS Epoxy hard coated HE 30 Hard anodised aluminium High Density Polyethelene
Ports		1/8 NPT - 7/16 SAE



SPECIFICATION

LENGTH OF ARM (OPEN) 943 MM (FROM SLEW)

LENGTH OF SLEW PLATE 320 MM

HEIGHT 515 MM

WIDTH 203 MM

CAPACITIES

ROTATE 360° CONTINOUS

TORQUE AT 140 BAR 38Nm

LIFT CAPACITY AT FULL REACH 80Kg @ 160 BAR

MAX WORKING PRESSURE 210 BAR

WEIGHT IN AIR 30.0 Kg

WEIGHT IN WATER 20.0 Kg

CONSTRUCTION

316 SS EPOXY HARD ANODISED ALUMINIUM

HIGH DENSITY POLYETHELENE

PORTS:

1/8" NPT / 7/16" SAE

REV	DESCRIPTION	DATE
0	GENERAL ASSY	
0	REVISED	
0	REVISED	
0	REVISED	