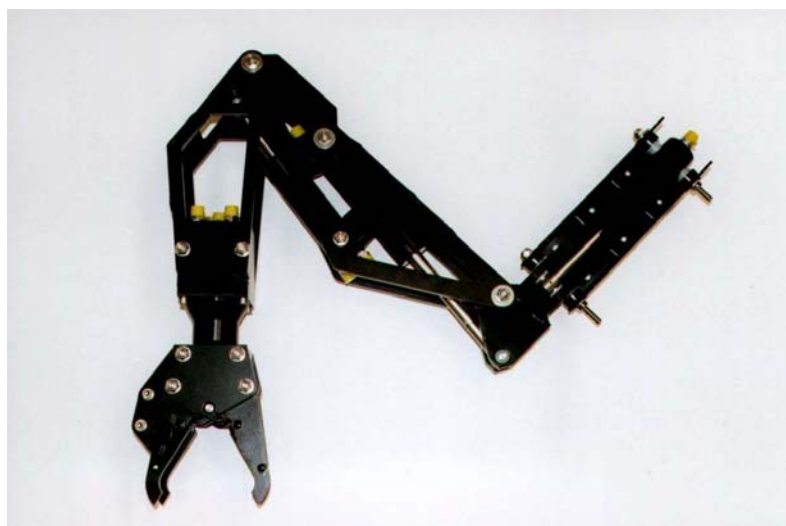


HLK-EH5

5-Function Medium Duty Manipulator

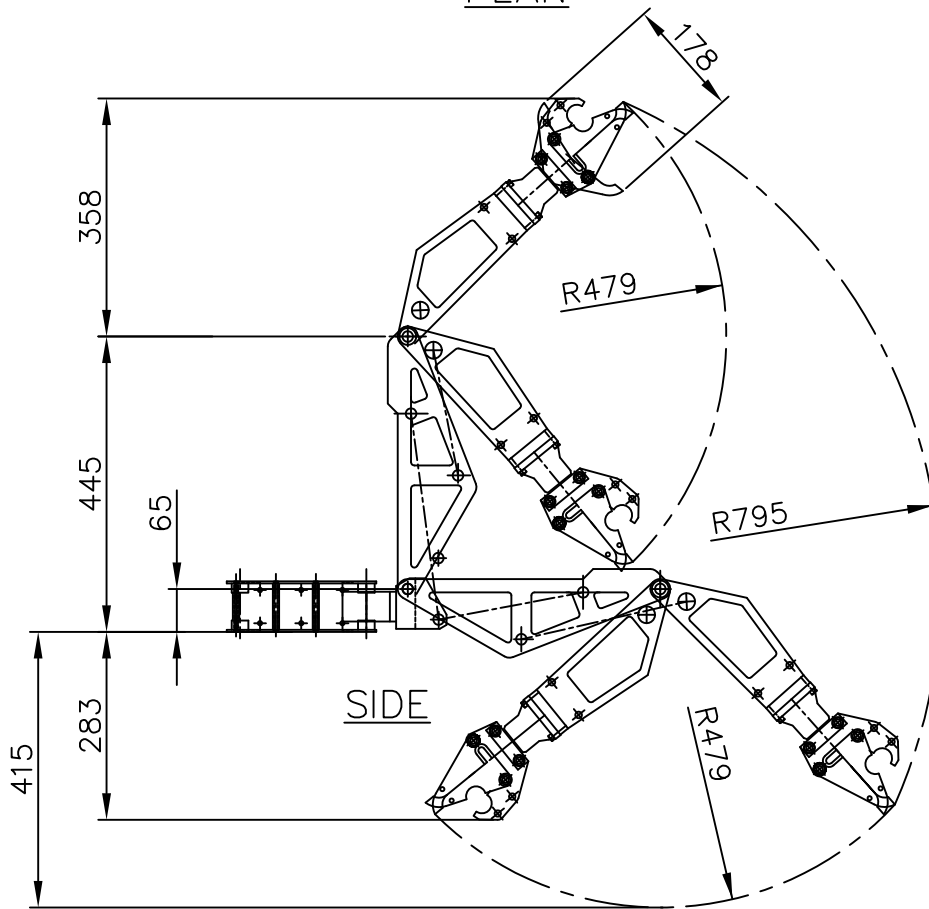
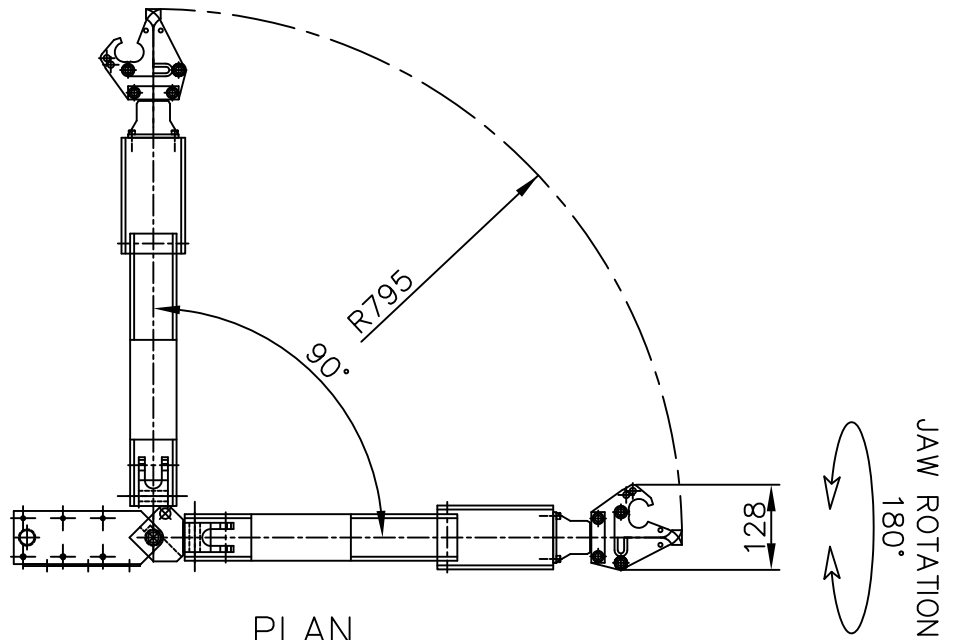


Features

- 5 degrees of freedom manipulator
- Rugged, tough and extremely lightweight
- Excellent dexterity and articulation
- Lift of 25Kg at full reach
- 180° jaw rotate
- Incorporates 19mm soft rope cutter

Specification:

Dimensions	Length of arm	795mm
	Length of slew plate	210mm
	Height	96mm
	Width	460mm
Capacities	Rotate	180°
	Torque at 140 bar (across ports)	14Nm
	Lift capacity at 140 bar	25Kg
Weight	Weight in air	12Kg
	Weight in water	9.5Kg
Construction		HE 30 Hard anodised aluminium All epoxy hard coated



SPECIFICATION

ROTATE	180°
TORQUE AT 140 BAR	14 Nm
LIFT AT 140 BAR	25 KG
WEIGHT IN AIR	12.0 KG
WEIGHT IN WATER	9.5 KG
MATERIALS: -	HE 30 HARD ANODISED ALUMINIUM 316 ST. STEEL

HYDRO-LEK LTD.	HLK-EH5 MANIPULATOR
ISS. DATE: -	MAT: -
CHKD BY: - REV. NO: - 2	DRG. NO: - HLK 4000-5DATA
DRAWN BY: - JW 19/8/99	