

HLK-43000

5-Function Manipulator

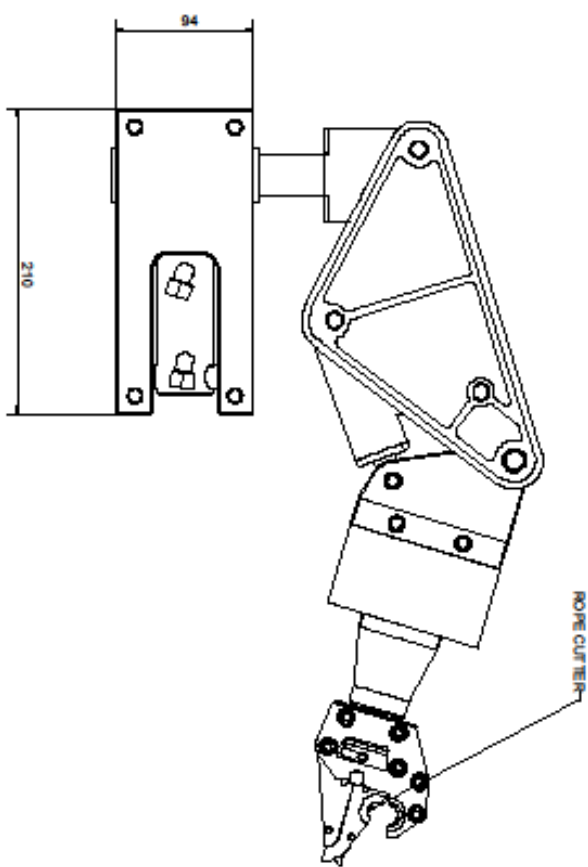
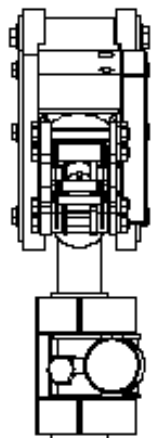
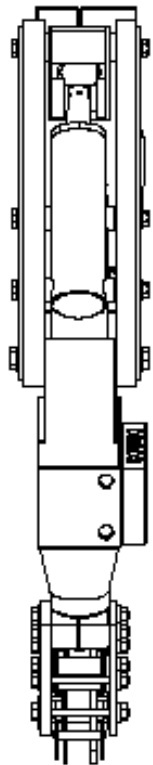


Features

- 5 degrees of freedom manipulator
- Rugged, tough and extremely lightweight
- Lift of 20Kg at full reach
- Excellent dexterity and articulation
- Incorporates 6mm soft rope cutter
- Uses HLK-21020 180° jaw rotate as standard

Specification:

Dimensions	Length of arm	553mm
	Length of slew plate	210mm
	Height	97mm
	Width	232mm
Capacities	Rotate	180° Jaw Rotate 90°-0-20° Shoulder Rotate
	Torque at 80 Bar	8Nm
	Lift capacity at 80/160 Bar	10/20Kg
Weight	Weight in air	6Kg
	Weight in water	4Kg
Construction		316 Stainless Steel Jaws High Density Polyethylene/ Aluminium



TECHNICAL SPECIFICATION

GENERAL DESCRIPTION

LENGTH (max) 553 mm

WIDTH (min) 232 mm

HEIGHT 97 mm

CAPACITIES

ARM ROTATE 90°

JAW ROTATE 180°

TORQUE AT 80 BAR 80 NM

LIFT CAPACITY AT FULL REACH AT 80 BAR 100 kg

MAX WORKING PRESSURE 140 BAR

WEIGHT 5 kg

WEIGHT IN AIR 5 kg

WEIGHT IN WATER 3 kg

CONSTRUCTION

316 STAINLESS STEEL, EPOXY HARD COATED

HIGH DENSITY POLYETHYLENE

<p>HYDRAULIC LIFTING UNIT & WATER CUT OFF PNEUMATICALLY OPERATED TEL: 018 2535280 FAX: 0115 8781815</p>	<p>Manipulator Assembly</p>	<p>DATE: 01/11/11</p>
<p>REV: 0</p>	<p>HLK-43000</p>	<p>1/1/1</p>