

# HLK-40400

## 5-Function Work Class Manipulator



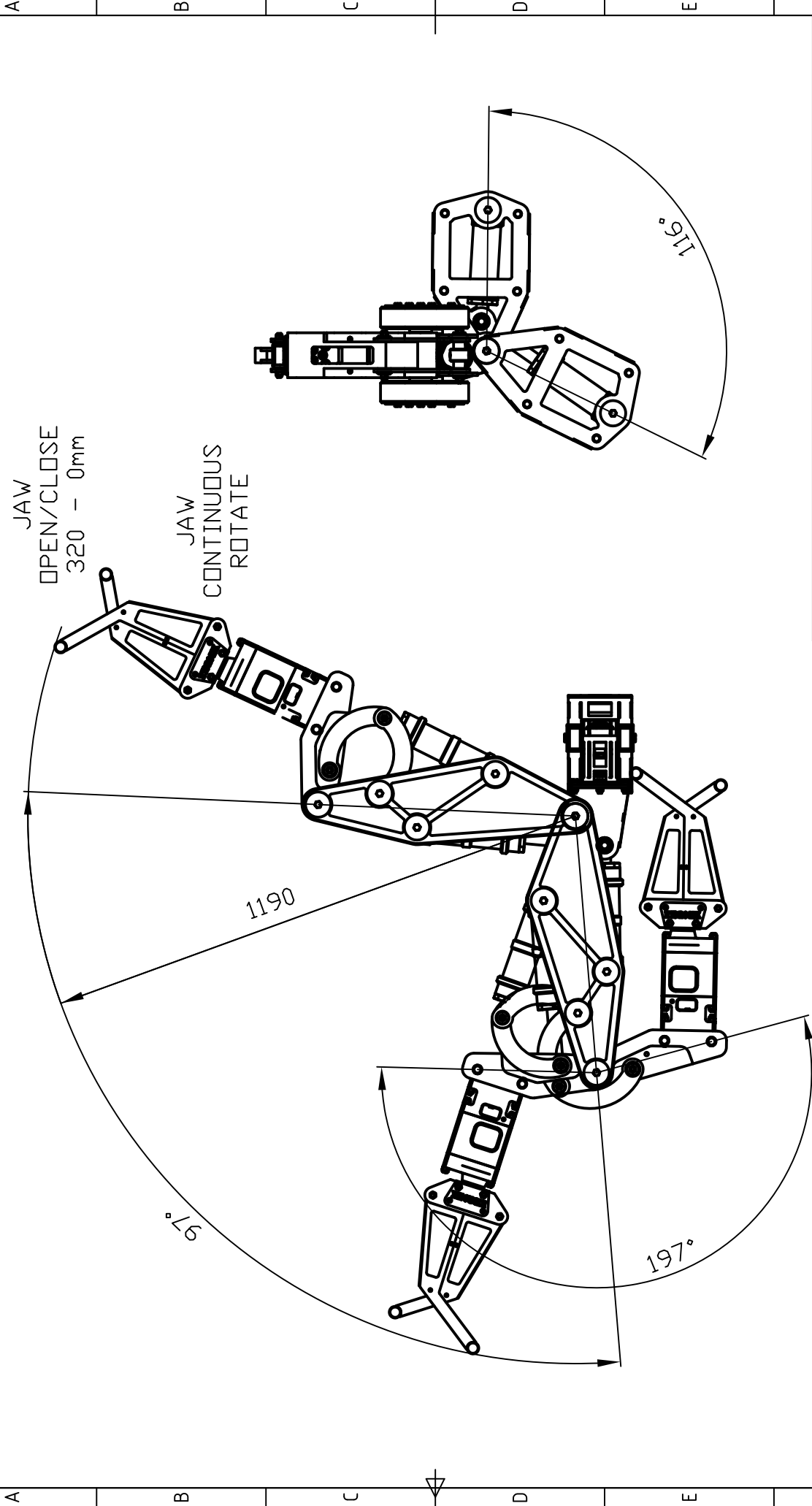
### Features

- 5 degrees of freedom manipulator
- Strong and rugged design
- Low power consumption
- Simple speed control
- Ease of operation and maintenance
- Starboard or port mounting
- Double upper arm linkage ensures compact storage

### Specification:

<b>Dimensions</b>	Length of arm	1425mm
	Length of slew plate	410mm
	Height	760mm
	Width	240mm
<b>Capacities</b>	Jaw Rotate	Continuous
	Wrist Rotate Torque at 140 Bar	75 Nm
	Lift capacity at full reach at 140 Bar	150Kg
	Maximum lift capacity at 210 Bar	210Kg
<b>Weight</b>	Weight in air	45Kg
	Weight in water	30Kg
<b>Construction</b>		316 SS Epoxy powder coated HE 30 Hard anodised aluminium High density polyethylene
<b>Porting</b>	To suit HLK-17000 Series fittings	

ISS	DCN	DESCRIPTION	DATE	SIGN' CHKD
-	-	-	-	-
-	-	-	-	-



Designed by	Checked by	Approved by -	File name	Date	Scale
-	-	-	-	16/07/10	NTS

ARM PARAMETERS	
Hydro-Lek Limited Falcon House, Falcon Ind Estate, Ivanhoe Road, Finchampsstead, Berks. RG40 400. Tel. 0118 9736903	HILK 40400 DATA Issue A Sheet 1 of 1

1	2	3	4	5	6	7	8
A	B	C	D	E	F		