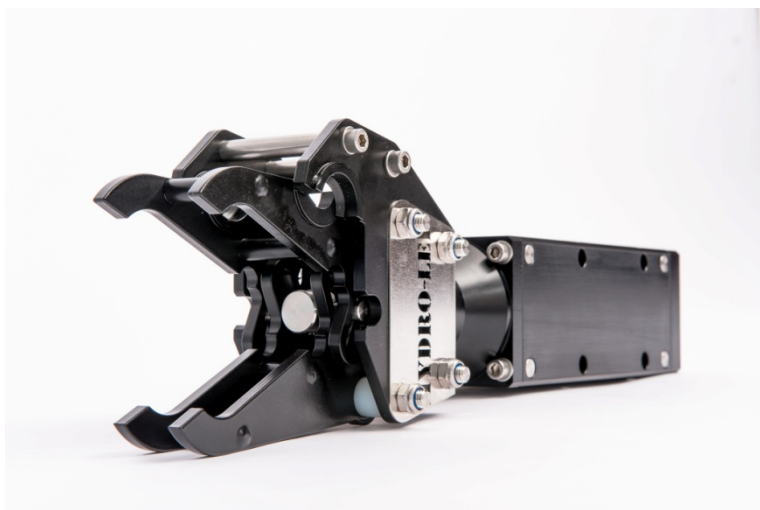


# HLK-25000

## Continuous Jaw Rotate Actuator



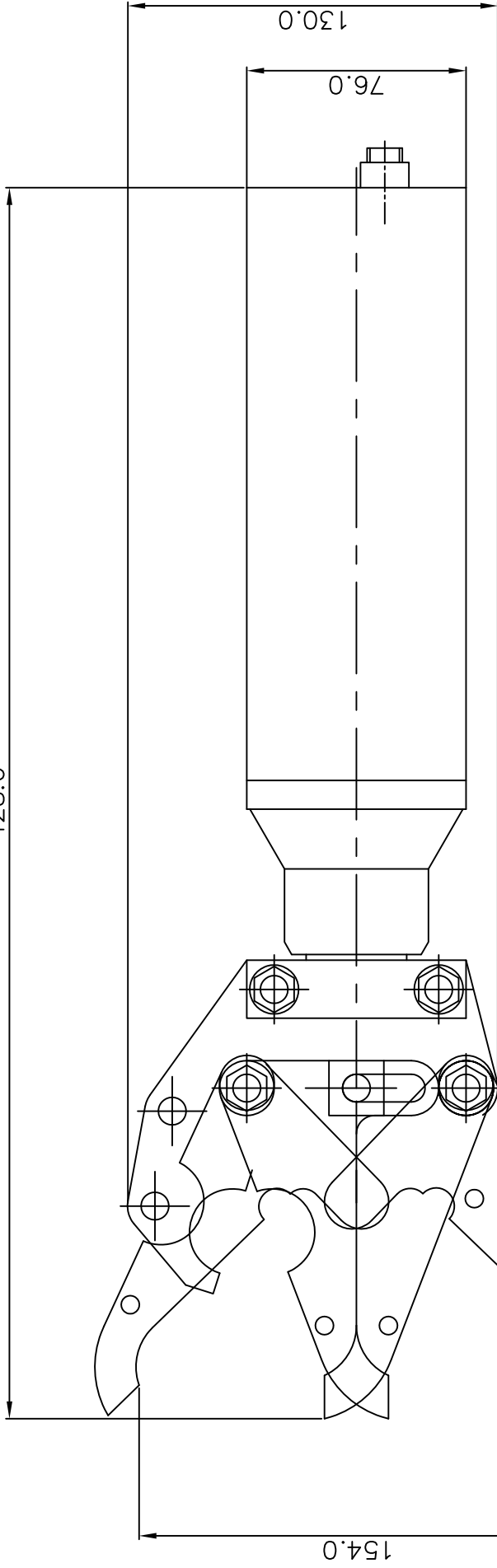
### Features

- Compact actuator with 316 SS jaw
- Jaws open to 154 mm
- Continuous Jaw Rotate
- can be used in conjunction with a 'T' handle for equipment deployment

### Specification:

|                             |  |   |
|-----------------------------|--|---|
| <b>Dimensions</b>           | Length                                 | 428mm                                   |
|                             | Height                                 | 130mm                                   |
|                             | Width                                  | 85mm                                    |
| <b>Capacities</b>           | Jaw rotate                             | Continuous                              |
|                             | Torque at 140 BAR (across motor ports) | 36Nm                                    |
|                             | Jaw open/close                         | 154mm - 0mm                             |
|                             | Cutter max (polypropylene rope)        | 19mm                                    |
| <b>Weight</b>               | Weight in air                          | 7Kg                                     |
|                             | Weight in water                        | 5Kg                                     |
| <b>Construction</b>         |  | 316 SS<br>HE 30 Hard anodised aluminium |
| <b>Max working pressure</b> |  | 210 bar                                 |
| <b>Ports</b>                |  | 7/16 SAE                                |

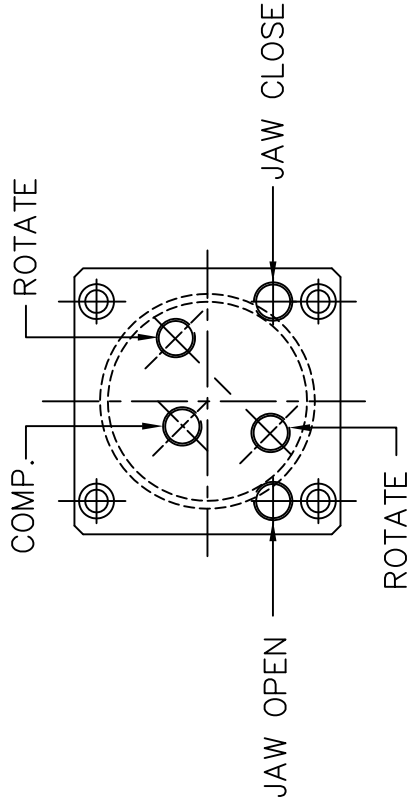
428.0



SPECIFICATION : -

JAW ROTATE  
 JAW OPEN / CLOSE  
 TORQUE AT 140 BAR  
 CUTTER MAX. (POLYPROPELENE)  
 WEIGHT IN AIR  
 WEIGHT IN WATER  
 MAX. WORKING PRESSURE  
 PORTS  
 MATERIALS: -

CONTINUOUS  
 154 - 0  
 50 Nm  
 ø19 mm  
 7 Kg  
 5 Kg  
 210 bar  
 7/16" SAE  
 HE 30 HARD ANODISED ALUMINIUM BLOCK  
 316 S.S. JAWS ASSY.



VIEW ON CONN. PORTS

HE 30 HARD ANODISED ALUMINIUM BLOCK

316 S.S. JAWS ASSY.

|                         |                                 |
|-------------------------|---------------------------------|
| HYDRO-LEK LTD.          | HLK-2020-25000 CONT. JAW ROTATE |
| ISS. DATE: -            | MAT: -                          |
| CHKD BY: -              | REV. NO: -1                     |
| DRAWN BY: - JW 18/02/13 | DRG. NO: - HLK 2020-25000/DATA  |