

# HLK-2010

## Continuous Jaw Rotate Actuator

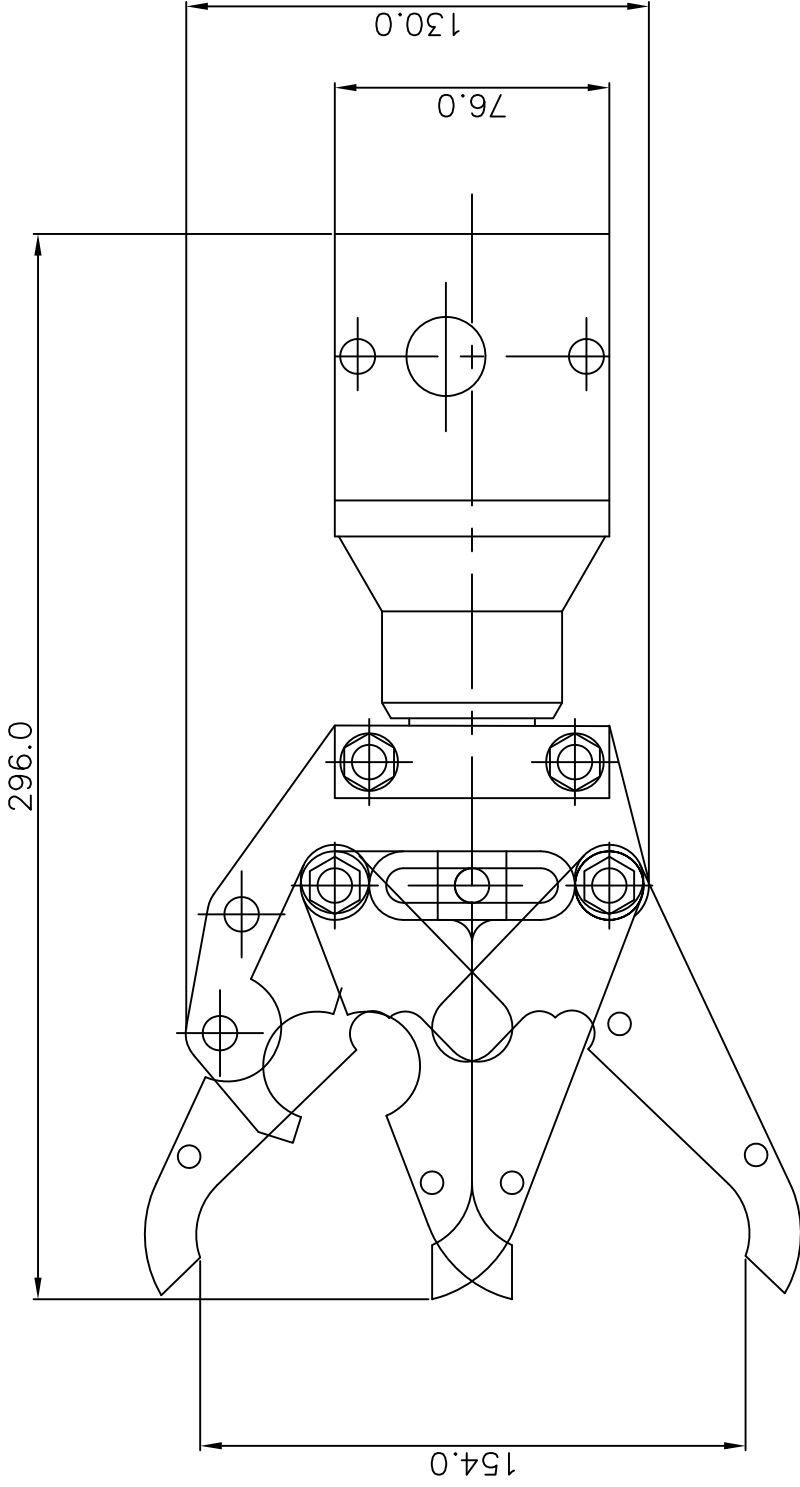


### Features

- compact actuator with 316 SS jaw
- open to 154 mm
- rotate through 180°
- can be used to locate a 'T' handle for equipment deployment

### Specification:

<b>Dimensions</b>	Length	300mm
	Height	130mm
	Width	85mm
<b>Capacities</b>	Jaw rotate	180°
	Torque at 140 BAR (across motor ports)	14Nm
	Jaw open/close	154mm - 0mm
	Cutter max (polypropylene rope)	19mm
<b>Weight</b>	Weight in air	4Kg
	Weight in water	3.3Kg
<b>Construction</b>	316 SS	
	HE 30 Hard anodised aluminium	
<b>Max working pressure</b>		210 bar
<b>Ports</b>		1/8 NPT



SPECIFICATION :-

JAW ROTATE  
 JAW OPEN / CLOSE  
 TORQUE AT 140 BAR  
 CUTTER MAX. (POLYPROPELENE)  
 WEIGHT IN AIR  
 WEIGHT IN WATER  
 MAX. WORKING PRESSURE  
 PORTS  
 MATERIALS: -

180°  
 154 - 0  
 14 Nm  
 Ø19 mm  
 4 Kg  
 3.3 Kg  
 210 bar  
 1/8" NPT  
 HE 30 HARD ANODISED ALUMINIUM BLOCK  
 316 S.S. JAWS ASSY.

HYDRO-LEK LTD.	HILK-2010 180° JAW ROTATE
ISS. DATE: -	MAT: -
CHKD BY: -	REV. NO: - 1
DRAWN BY: - JW 18/8/99	DRG. NO: - HILK 2010/DATA