

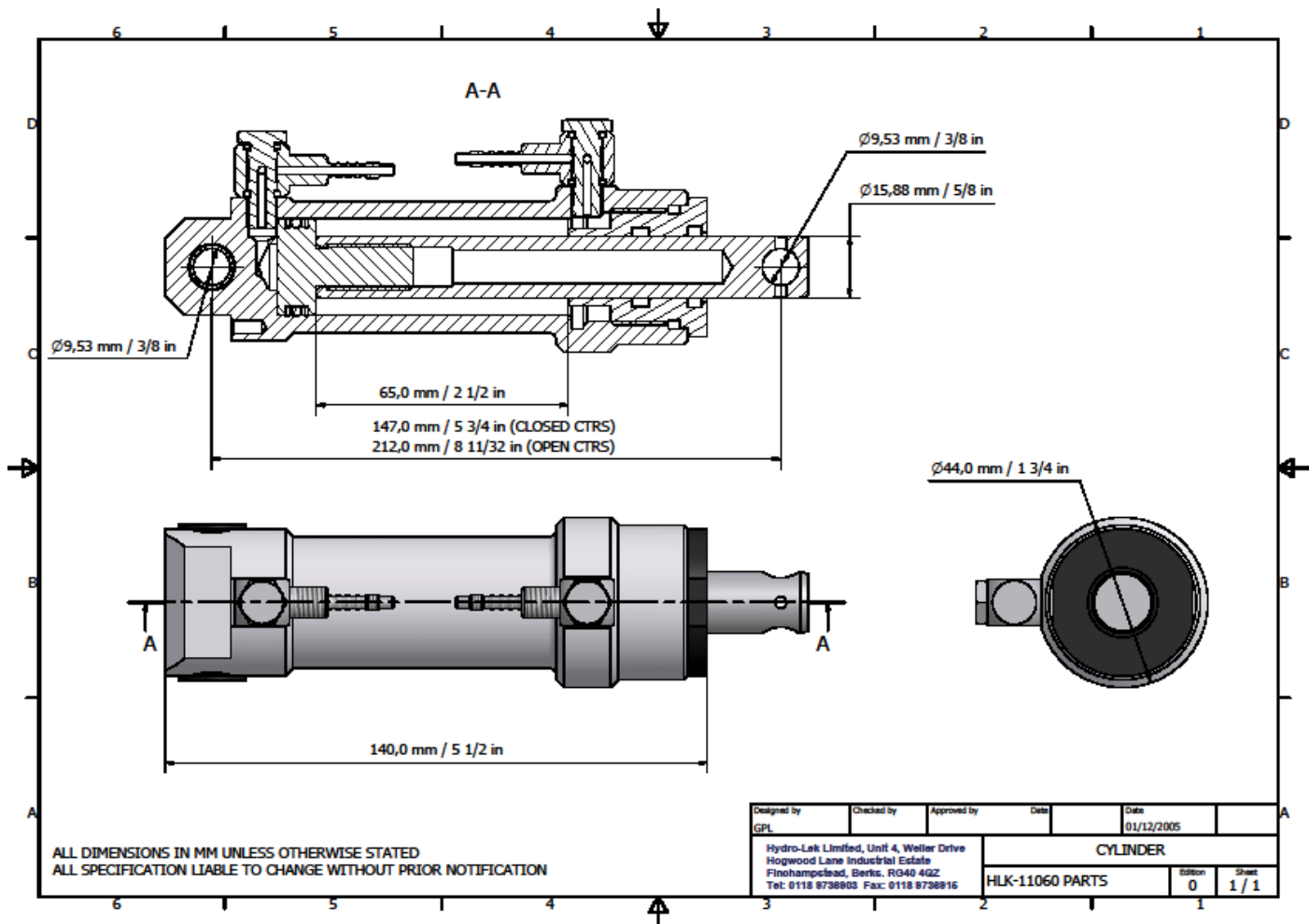


HLK-11060

25mm Series Bore Cylinders



- Compact, lightweight 25 mm bore actuators
- Extend and retract ports positioned at side of cylinder
- Use compact banjo fittings to minimize installation area
- Two standard stroke lengths - 65mm & 100mm. Additional lengths available
- Pivot point in rear designed to accept IGUS® for maximum underwater friction reduction
- Bushes take pins of 3/8" (9.525 mm) diameter
- Various mounting options available



Specification:

Cylinder Construction	6082 T6 Anodised Aluminium
Piston rod	316 Stainless Steel
Extend force at 210 bar	1050 kg
Retract force at 210 bar	650 kg
Standard Stroke length	65 mm & 100 mm
Weight	In air 0.50 kg
	In Water 0.30 kg
Temperature range	-40°C to +80°C
Face/Nose Mount Adapters	316 Stainless Steel
Hydraulic Ports	Hydro-Lek Mini Banjo Fitting or 1/8 NPT adaptor