

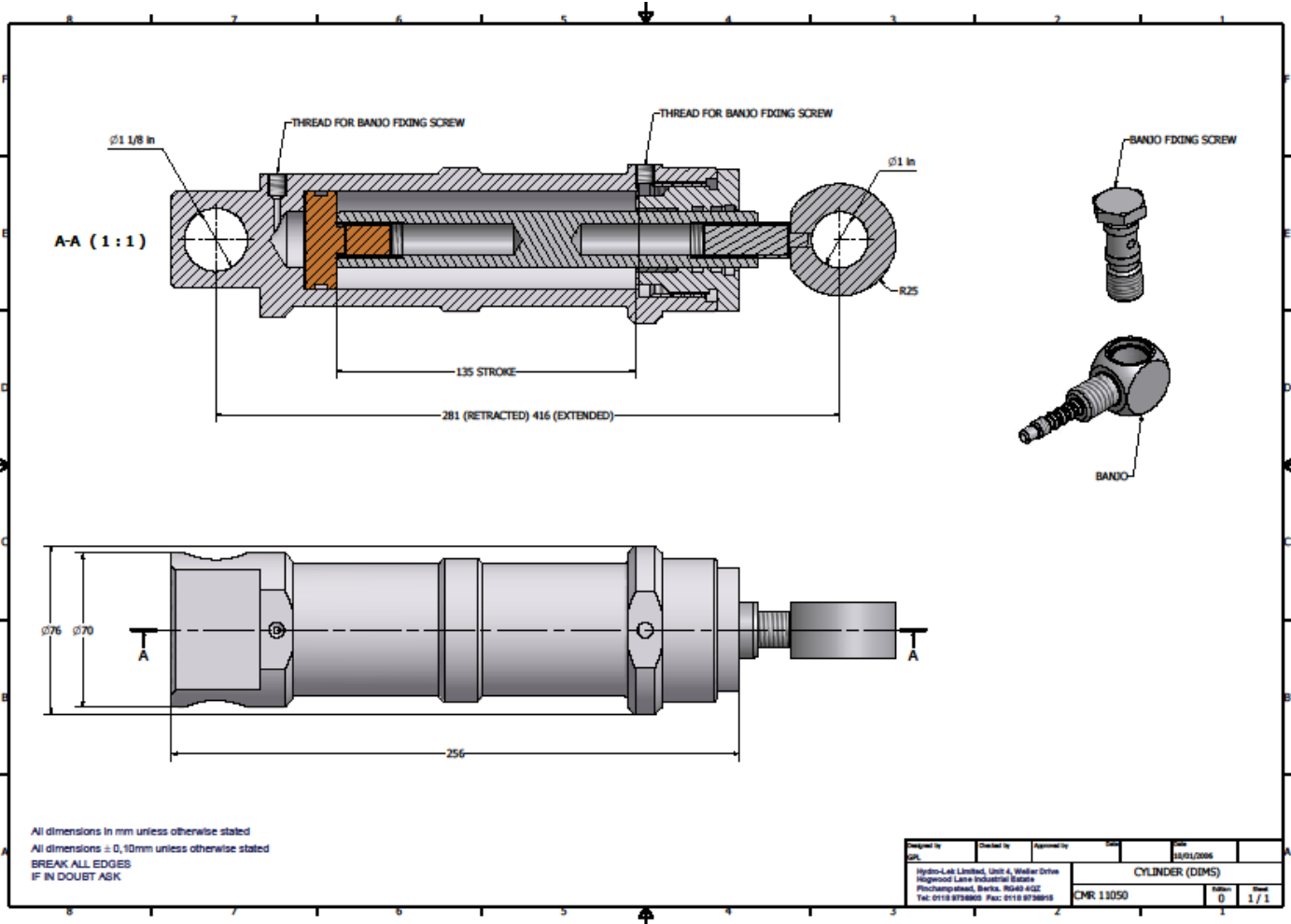


# HLK-11045

45mm Series Bore Cylinders



- Compact, lightweight 45 mm bore actuators
- Rated at working pressure of 210 bar
- Extend and retract ports positioned at side of cylinder
- Use compact banjo fittings to minimize installation area
- Standard 135 mm stroke length with additional lengths available on request
- Pivot points in rear designed to accept IGUS® for maximum underwater friction reduction
- Bushes take pins of 1" (25.4 mm) diameter



**Specification:**

<b>Cylinder Construction</b>	6082 T6 Anodised Aluminium
<b>Piston rod</b>	316 Stainless Steel & HE30 Aluminium
<b>Extend force at 210 bar</b>	<b>3000 kg</b>
<b>Retract force at 210 bar</b>	<b>2000 kg</b>
<b>Standard Stroke length</b>	<b>135 mm</b>
<b>Weight</b>	<b>2.5 kg</b>
<b>In air</b>	<b>2.5 kg</b>
<b>In Water</b>	<b>1.5 kg</b>
<b>Temperature range</b>	-40°C to +80°C
<b>Face/Nose Mount Adapters</b>	316 Stainless Steel
<b>Hydraulic Parts</b>	Hydro-Lek Mini Banjo Fitting or 1/8 NPT adaptor