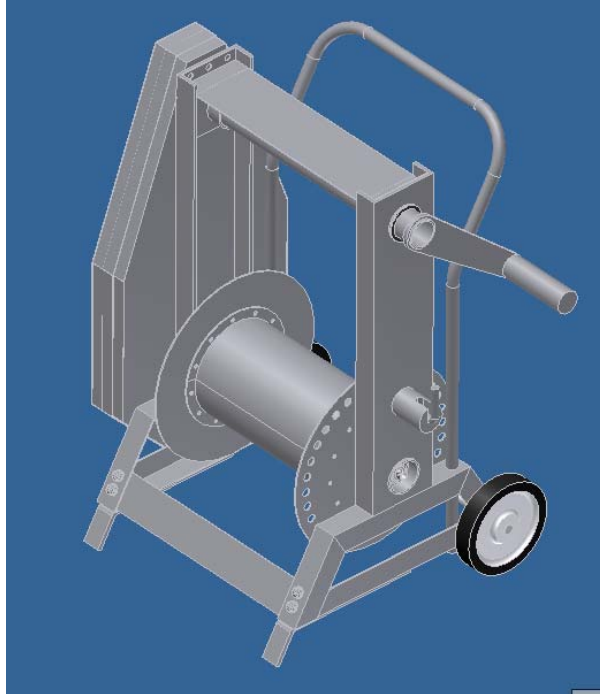




HYDRO-LEK

REMOTE HANDLING SPECIALISTS



HLK 83200 Camera Deployment System Winch:

The portable winch is primarily for use with the underground camera deployment system, HLK-82320. The frame is constructed from stainless steel to create a durable product that can be transported anywhere necessary on site.

The purpose of the winch drum is to allow deployment of any system which needs both a pneumatic air supply and electrical connections. The electrical cable is fed through hydraulic hose (½" reinforced as standard) and terminated with a unique Hydro-Lek fitting on the inside of the rotating drum.

The winch features an innovative design that incorporates both an electrical slip ring and a rotary pneumatic fitting to allow the connection of electrical and pneumatic connections to the winch.

Features

- Electro-polished stainless steel frame
- Bolted cross members to allow installation of alternate drum
- 200mm Rubber tyres
- Fully sealed pneumatic rotary fitting tested to 20 bar
- Fully sealed Slip rings with up to 24 connections
- Anti Slip Rubber Feet
- Hose/cable reeling via hand crank
- Timing belt to allow the user to operate the winch standing without lifting the centre of gravity significantly and give an additional mechanical advantage.
- Timing belt system fully enclosed to allow safe operation of winch
- Sprung loaded break pin for additional safety in securing the drum