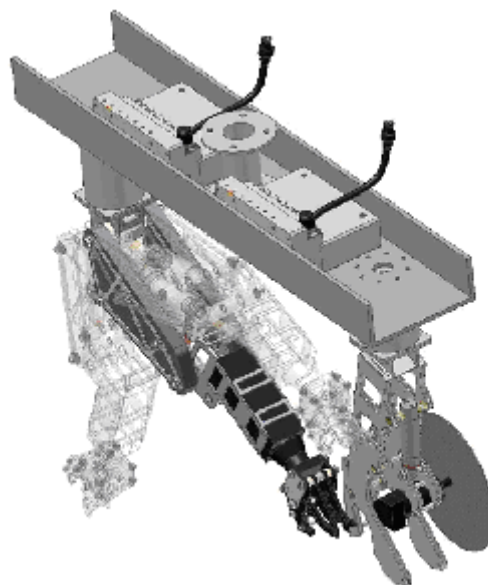


# HLK-80300

## Size Reduction Tool



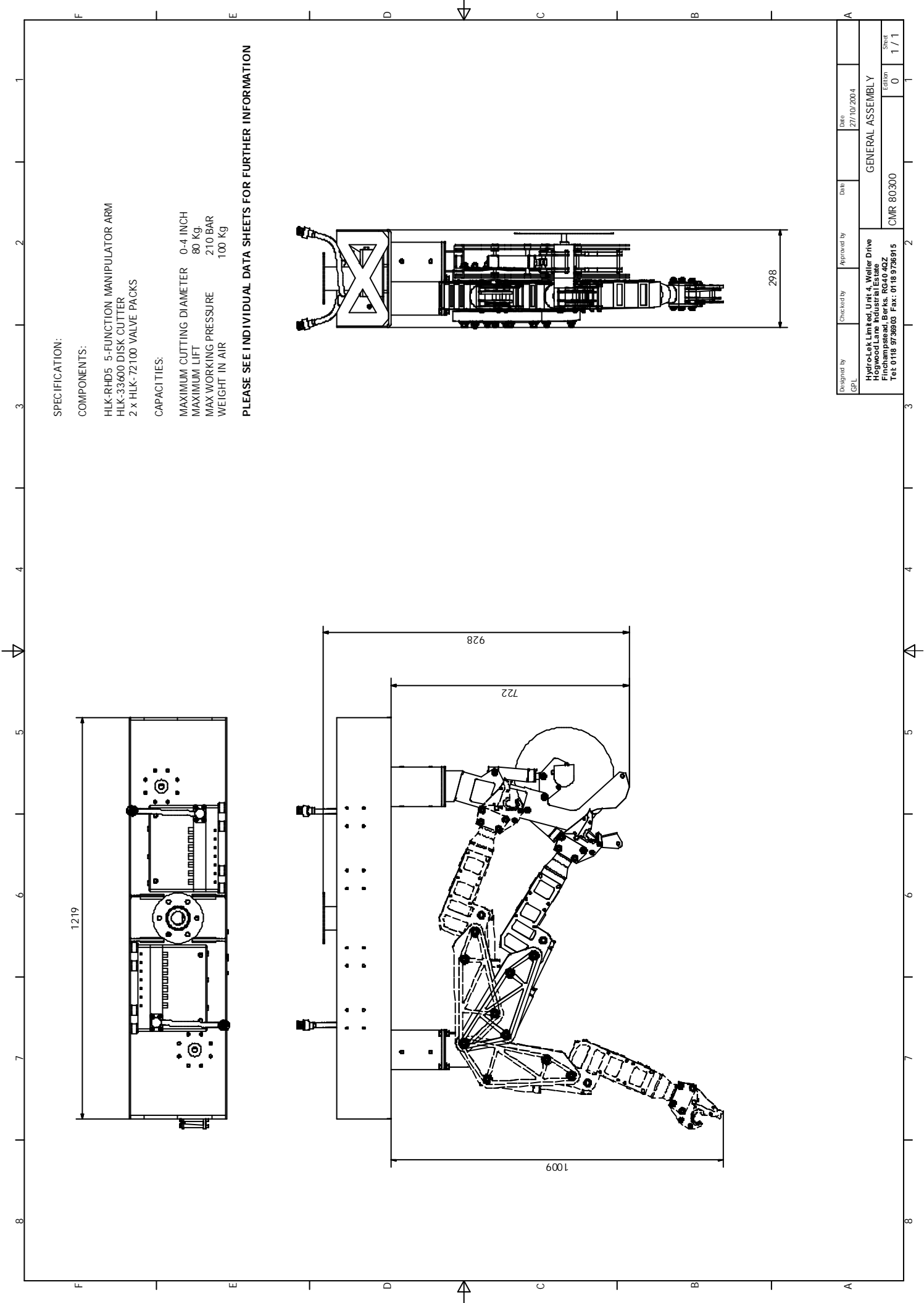
### Features

- Designed to remotely pick up manageable hazardous debris (up to 80 Kg) and deposit it into collection receptacles
- Combined arm and cutter enables cables or pipe to be grabbed, reduced in size and cut into disposable sized pieces
- The system has been designed for fitting to an overhead gantry or robotic head with connections for hydraulic and electrical control signals

### Specification

<b>Components</b>	HLK 5-Function Manipulator Arm HLK-33600 Disk Cutter 2 x HLK-72100 Valve Packs	
<b>Capacities</b>	Max Cutting Diameter	0-4 inch
	Maximum Lift	80 Kg
	Max Working Pressure	210 Bar
	Weight in air	100 Kg

Please see individual datasheets for Information on each component.



**SPECIFICATION:**

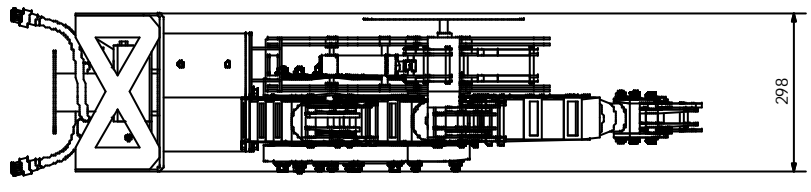
**COMPONENTS:**

- HLK-RHD5 5-FUNCTION MANIPULATOR ARM
- HLK-33600 DISK CUTTER
- 2 x HLK-72100 VALVE PACKS

**CAPACITIES:**

- MAXIMUM CUTTING DIAMETER 0-4 INCH
- MAXIMUM LIFT 80 Kg
- MAX WORKING PRESSURE 210 BAR
- WEIGHT IN AIR 100 Kg

**PLEASE SEE INDIVIDUAL DATA SHEETS FOR FURTHER INFORMATION**



Designed by GPL	Checked by	Approved by	Date 27/10/2004	Sheet 1 / 1
Hydro-Leit Limited, Unit 4, Weller Drive Hogwood Lane, Industrial Estate Huddersfield, W. Yorks. HD6 3JZ Tel: 01484 973695 Fax: 01484 973695			GENERAL ASSEMBLY Edition 0	
CMIR 80300				