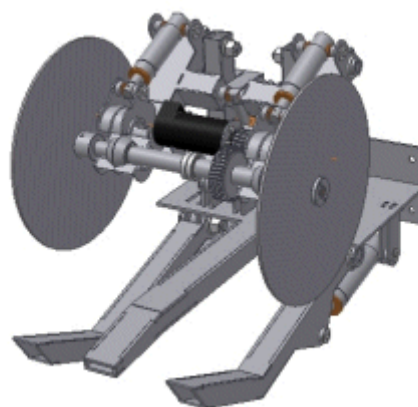


# HLK-33300

## Dual Rotary Cutter

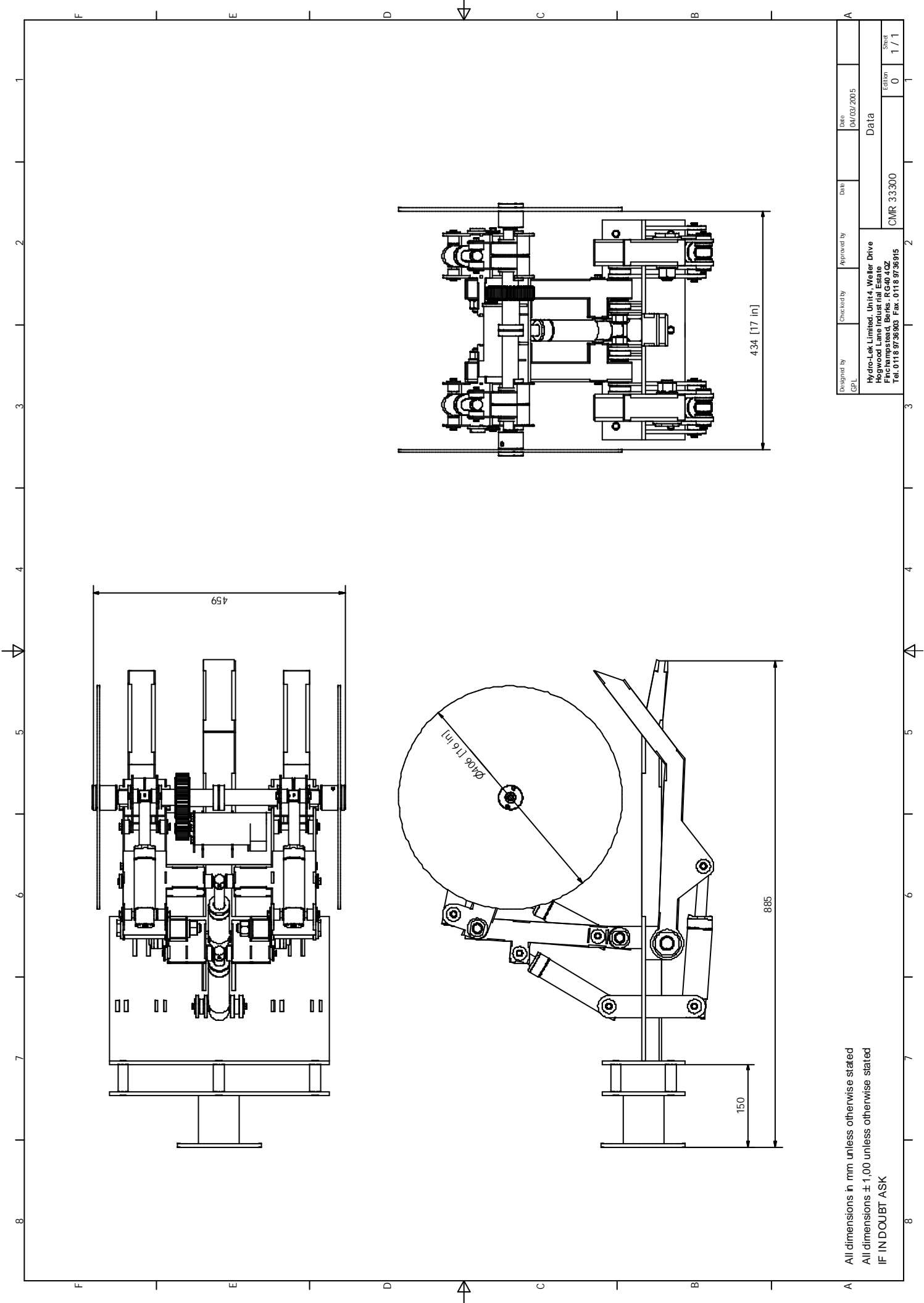


### Features

- Cutter/Grabber tool which can be deployed into waste storage ponds to cut and recover pipes, cables, scaffolding and general waste with diameters up to 150mm
- Two articulated arms with a pair of rotary cutting discs set at 420mm apart grind through the grabbed items, which can then be deposited into containers for safe storage
- The cutter discs can be changed remotely for disposal using a simple manipulator

### Specification:

<b>Dimensions</b>	Length	885mm
	Width	460mm
	Height (Stowed)	450mm
<b>Capacities</b>	Jaw Opening	150mm
	Cutter Discs	406mm (16")
	Maximum Working Pressure	210 Bar
	Weight	60 Kg
<b>Ports</b>		1/8" NPT – 3/8" NPT
<b>Construction</b>	316 SS	
	Epoxy Hard Coated	



Designed by GPL	Checked by	Approved by	Date 04/03/2005	
Hydro-Lek Limited, Unit 4, Weller Drive Hogwood Lane Industrial Estate Frimley, Farnham, Surrey, GU10 4DZ Tel. 0118 9735903 Fax. 0118 9736915			CNIR 33300	Sheet 1 / 1
Data			Edition 0	

All dimensions in mm unless otherwise stated  
 All dimensions ± 1.00 unless otherwise stated  
 IF IN DOUBT ASK