

HLK-4600PT

Camera Boom Arm with Pan & Tilt



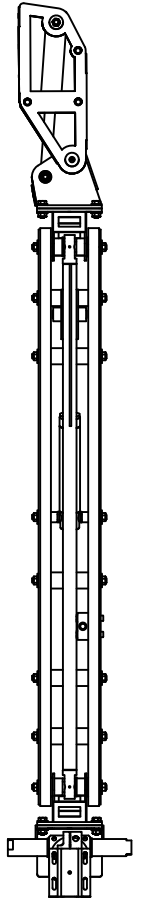
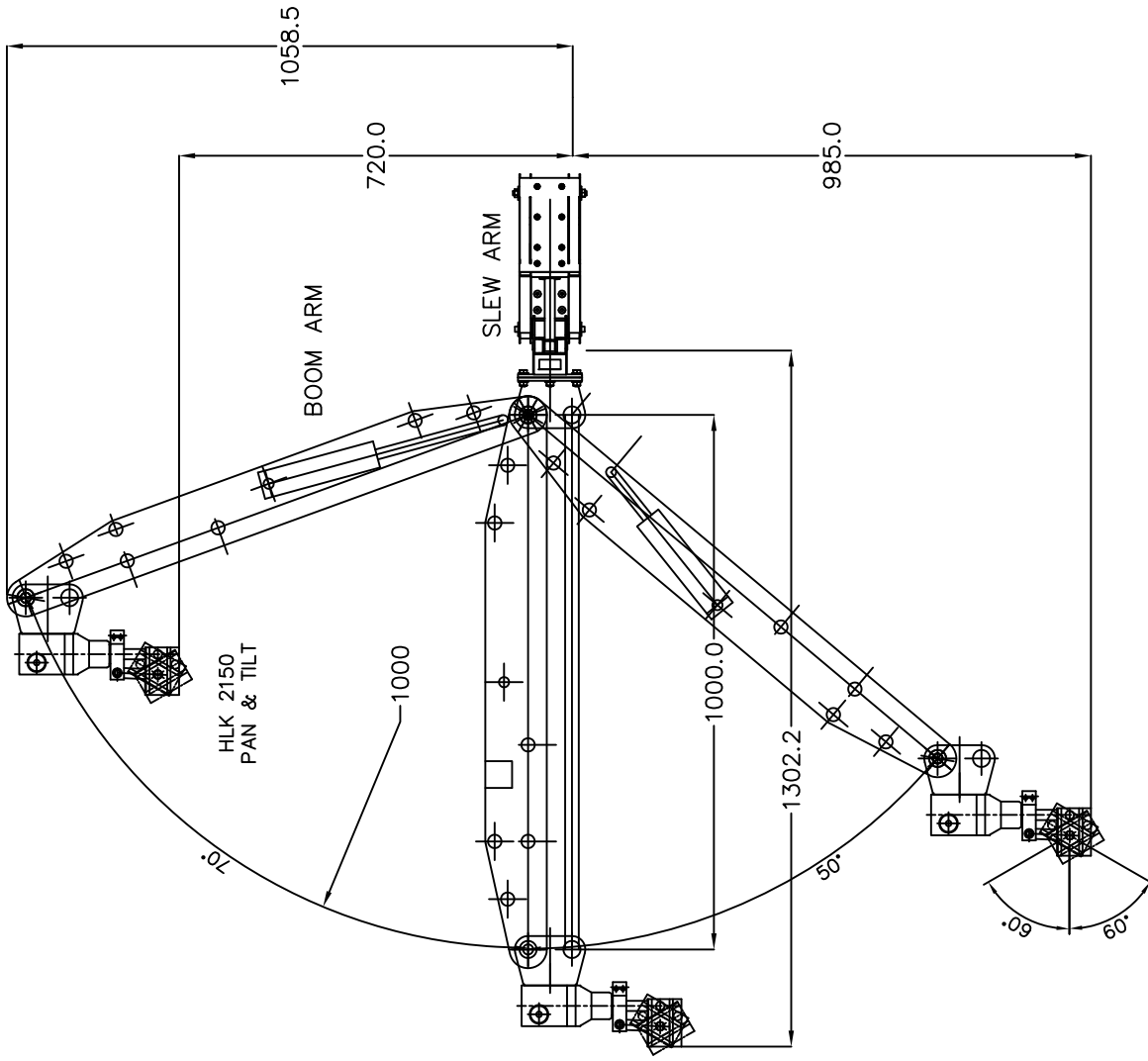
Features

- Designed for inspection of pipelines up to 1 metre
- Camera position stable throughout entire 120° angular movement of arm
- Camera mount can be tilted through 120° and rotated through 360°
- Uses HLK-2150 Pan & Tilt

Specification

Dimensions	Length of arm	1625mm
	Height	310mm
	Width	120mm
Movement Range	Up / Down	70-0-50°
	Left / Right	90-0-30°
	Camera Tilt / Roll	60-0-60°
Weight	Weight in air	16Kg
	Weight in water	11Kg
Construction		316 SS HE 30 Hard Anodised Aluminium Polyethylene
Ports		1/8" NPT – 7/16" SAE

FOR SLEW PLATE FIXING DETAIL SEE DRG. CMR 5330



SPECIFICATION

OVERALL LENGTH 1625
 OVERALL HEIGHT 310
 OVERALL WIDTH 120
 WORKING PRESSURE 210 BAR
 WEIGHT IN AIR 27.0 KG (APPROX)
 WEIGHT IN WATER 22.0 KG (APPROX)
 MATERIALS: -
 HE 30 HARD ANODISED ALUMINIUM
 316 ST. STEEL
 NYLON 66
 POLYETHYLENE
 1/8" NPT / 7/16" SAE

PORTS: -

HYDRO-LEK LTD.	CAMERA BOOM
ISS. DATE: -	MAT: -
CHKD BY: -	REV. NO: - 3
DRAWN BY: - JO 14/4/10	DRG. NO: - HLK 4600PT/DATA