

# HLK-33100

## Mini Anvil Cutter



### Features

- Designed to complement the HLK 43000 manipulator
- Cuts 19mm diameter polypropylene rope or 10mm diameter stainless steel wire rope
- Supplied with hydraulic deployment limbs
- Mounted through same fixing holes to match HLK-43000

### Specification:

<b>Dimensions:</b>	Length	215mm
	Height	100mm
	Width	100mm
<b>Function</b>	Cutting Polypropylene Rope	19mm
	Stainless Steel wire rope	12mm
<b>Weight</b>	Weight in air	6.0 kg
	Weight in water	4.0 kg
<b>Construction</b>	316 SS	
	HE30 Hard Anodised aluminium	
<b>Hydraulics</b>	Max Working Pressure	100 Bar
<b>Ports</b>		1/8 NPT

SPECIFICATION :

DIMENSIONS :

LENGTH 262MM  
HEIGHT 100MM  
WIDTH 100MM

FUNCTIONS :

CUTTING  
DIA 19,0MM POLYPROPYLENE ROPE  
DIA 19,0MM STEEL WIRE ROPE

WEIGHT

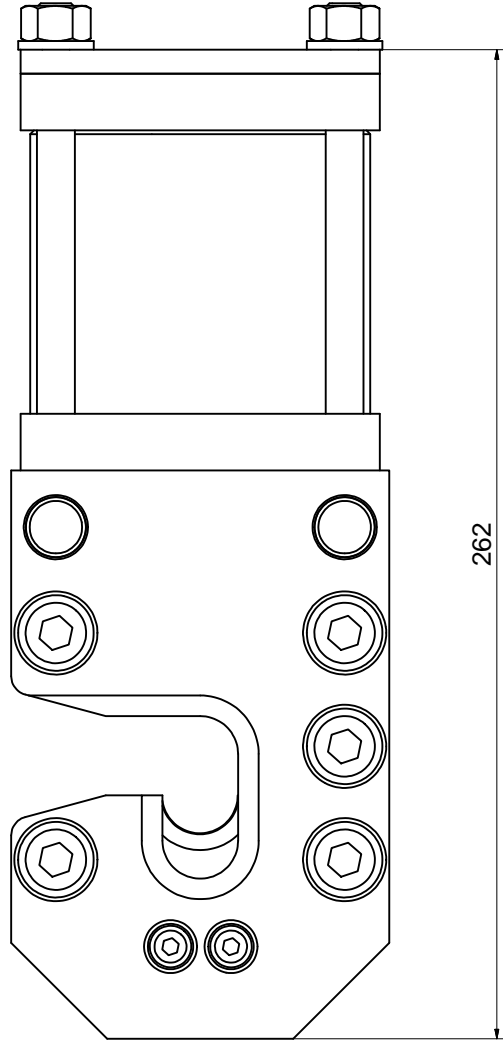
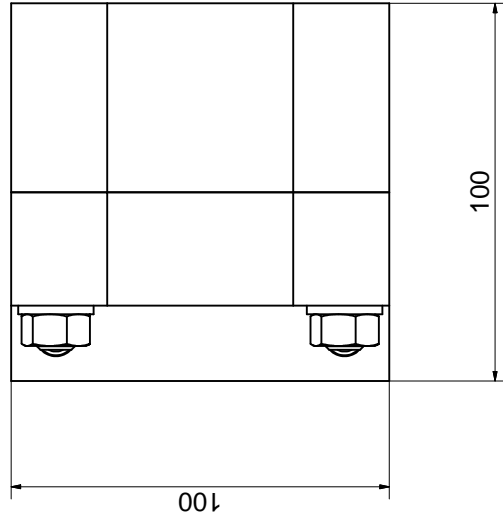
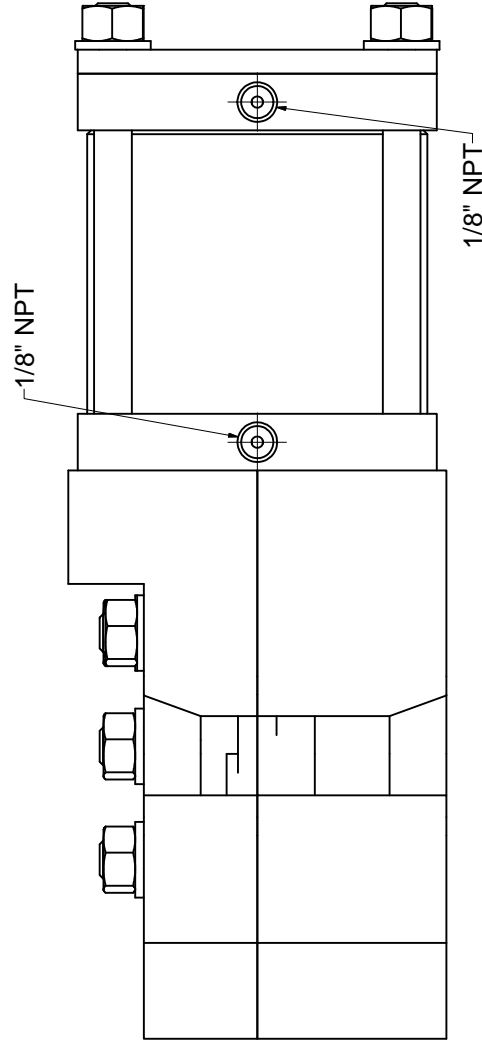
WEIGHT IN AIR 6 Kg (Approx)  
WEIGHT IN WATER 4 Kg (Approx)

CONSTRUCTION:

STAINLESS STEEL 316  
HE30 HARD ANODISED ALUMINIUM  
POLYPROPYLENE / PET

HYDRAULICS:

MAX WORKING PRESSURE 100 BAR  
PORTS 1/8" NPT



All dimensions in mm unless otherwise stated  
Specification liable to change without prior notification  
IF IN DOUBT ASK

Designed by	Checked by	Approved by - date	Date
GPL			19/02/2004
Hydro-Lek Limited, Unit 4, Weiler Drive Hogwood Lane Industrial Estate Finchampstead, Berks. RG40 4QZ Tel: 0118 9736903 Fax: 0118 9736915			CUTTER GA
CMR 33100			Sheet 1 / 1